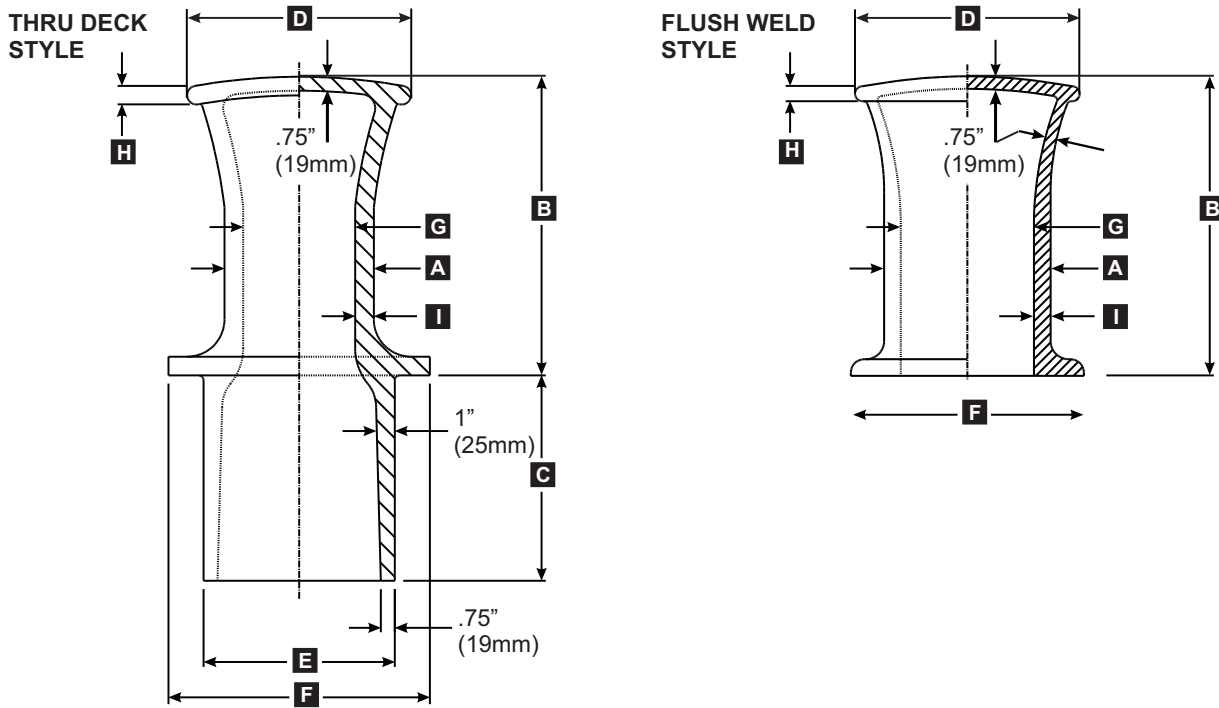


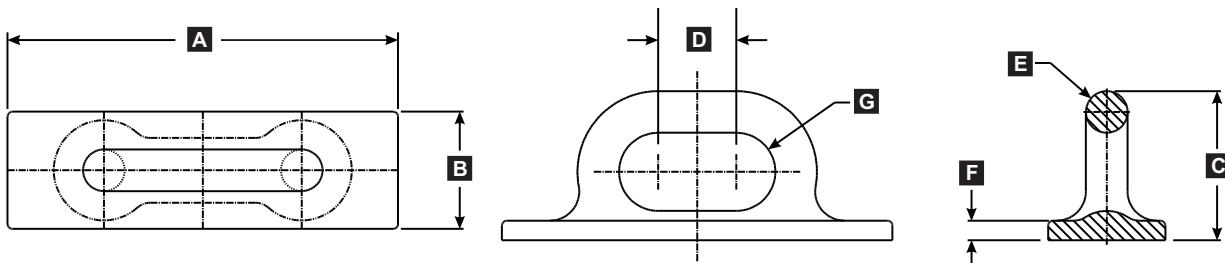
Single Bitts ASTM A27-70-36 Cast Steel



MODEL	DESCRIPTION	STYLE	PART #	DIMENSIONS IN INCHES (MM)									LBS (KGS)
				A	B	C	D	E	F	G	H	I	
UMC-492	SINGLE BITT 8" SQUARE BASE	THRU DECK HEAVY DUTY	03720-301A	8" Ø (203)	21" (533)	12" (305)	12" Ø (305)	9.63" Ø (245)	14" (356)	5" Ø (127)	1" (25)	1.5" (38)	370 (168)
UMC-530	SINGLE BITT 8" ROUND BASE	THRU DECK	08000-301B	8" Ø (203)	16" (406)	11" (279)	12" Ø (305)	10.25" Ø (260)	14" Ø (356)	6" (152)	1" (25)	1" (25)	260 (117)
UMC-SB10-T	SINGLE BITT 10" ROUND BASE	THRU DECK	01142-301A	10" Ø (254)	18" (457)	12" (305)	13.5" Ø (343)	10" Ø (254)	14" Ø (356)	8" (203)	1.46" (37)	1" (25)	293 (132)
UMC-SB10	SINGLE BITT 10" ROUND BASE	FLUSH WLD	01140-301A	10" Ø (254)	18" (457)	N/A	13.5" Ø (343)	N/A	14" Ø (356)	8" (203)	1.46" (37)	1" (25)	190 (86)

D-Rings ASTM A27-70-36 Cast Steel

11



MODEL	DESCRIPTION	PART #	DIMENSIONS IN INCHES (MM)							WEIGHT
			A	B	C	D	E	F	G	
UMC-196	D-RING	01190-301A	20" (508)	6" (152)	7.63" (194)	4" (102)	2.13" Ø (54)	1" (25)	2" R (51)	60 (27)

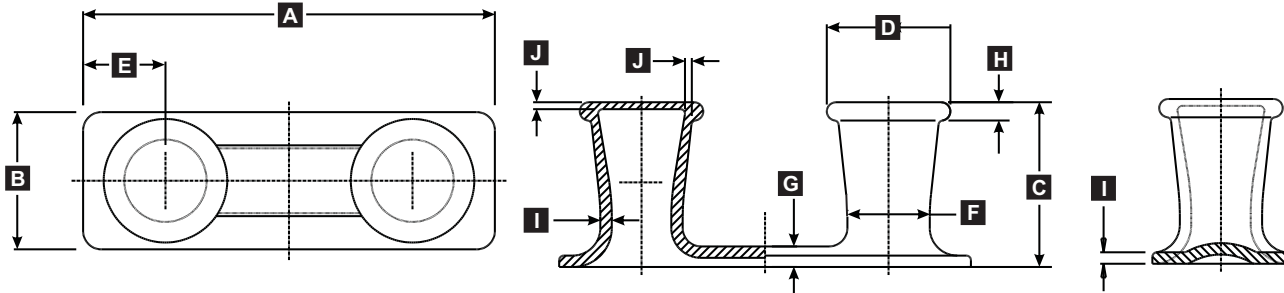


1074 Kenran Industrial Dr.
St. Louis, MO 63137
Phone: 1-800-381-9968

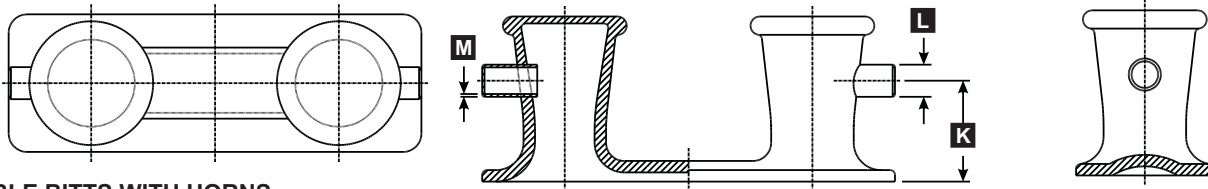
HUMCO DECK FITTINGS

UMC Castings

Double Bitts ASTM A27-70-36 Cast Steel



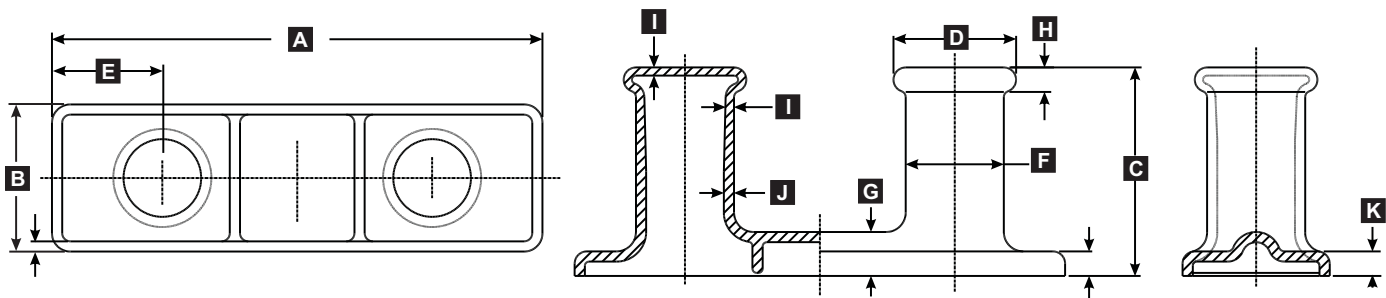
MODEL	DESCRIPTION	PART #	DIMENSIONS IN INCHES (MM)										LBS (KGS)
			A	B	C	D	E	F	G	H	I	J	
UMC-2	DOUBLE BITT 8"	01110-301A	40" (1016)	14" (336)	16" (406)	11" Ø (279)	8" (203)	7" Ø (177)	2" (51)	2" (51)	1.25" (32)	.72" (18)	320 (145)
UMC-40	DOUBLE BITT 10"	01120-301A	45" (1143)	15" (381)	18" (457)	13.5" Ø (343)	9" (228)	9" Ø (228)	2.25" (57)	2" (51)	1.25" (32)	.75" R (19)	574 (260)



DOUBLE BITTS WITH HORNS

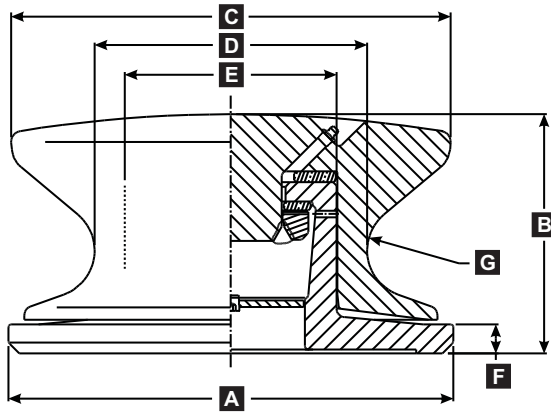
MODEL	DESCRIPTION	PART #	DIMENSIONS IN INCHES (MM)			LBS (KGS)	
			K	L	M		
UMC-2A	DOUBLE BITT 8" WITH HORNS	04200-301A	SEE DIMENSIONS FOR UMC-2 ABOVE	10" (254)	3.5" Ø (89)	.3" (8)	331 (150)
UMC-40A	DOUBLE BITT 10" WITH HORNS	03760-301A	SEE DIMENSIONS FOR UMC-2 ABOVE	11" (279)	3.5" Ø (89)	.3" (8)	579 (262)

Large Double Bitt ASTM A27-70-36 Cast Steel

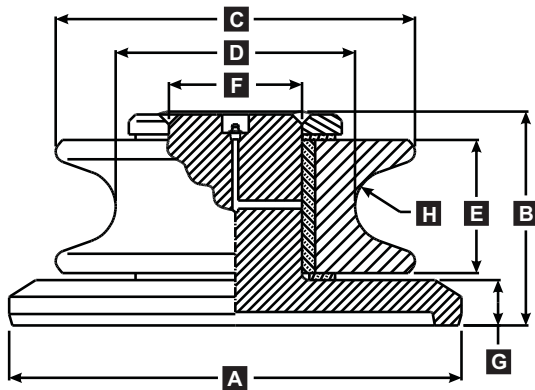


MODEL	DESCRIPTION	PART #	DIMENSIONS IN INCHES (MM)										LBS (KGS)	
			A	B	C	D	E	F	G	H	I	J		K
UMC-491	DOUBLE BITT 12"	05970-301A	60" (1524)	18" (457)	25.5" (647)	15" (381)	13.5" (343)	12" Ø (305)	5.4" (137)	3" (83)	1" (25)	1.25" (32)	3" (76)	1045 (474)
UMC-14	DOUBLE BITT 14"	01121-301A	66" (1676)	21" (533)	26.25" (667)	17.5" (445)	13" (343)	14" (356)	5.7" (145)	3.5" (89)	1" (25)	1.5" (38)	3.5" (89)	1596 (724)

Roller Buttons ASTM A27-70-36 Cast Steel

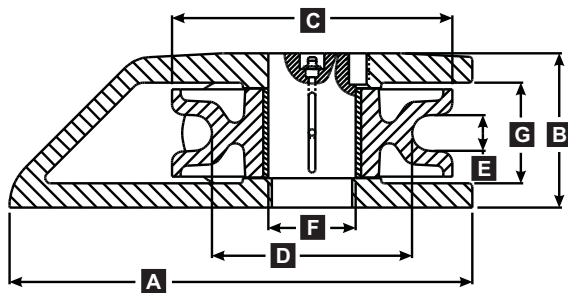


MODEL	DESCRIPTION	PART #	DIMENSIONS IN INCHES (MM)							LBS (KGS)
			A	B	C	D	E	F	G	
UMC-50	ROLLER BUTTON, WELDED 11"	08670-152A	12.5" Ø (317)	5.29" (134)	11" Ø (279)	8" Ø (203)	5.5" Ø (138)	1" (25)	.78" R (20)	100 (45)
UMC-75	ROLLER BUTTON, WELDED 12.5"	08671-152A	16.65" Ø (423)	6.8" (173)	12.5" Ø (316)	7.75" Ø (197)	6" Ø (152)	.83" (21)	1.33" R (34)	136 (62)
UMC-100	ROLLER BUTTON, WELDED 15.5"	08672-152A	14.86" Ø (377)	7.88" (200)	15" Ø (381)	9.25" Ø (235)	7" Ø (178)	1" (25)	1.56" R (40)	235 (107)



MODEL	DESCRIPTION	PART #	DIMENSIONS IN INCHES (MM)								LBS (KGS)
			A	B	C	D	E	F	G	H	
UMC-1048	ROLLER BUTTON WELDED	08674-101A	17" Ø (432)	8.03" (204)	13.5" Ø (343)	9" (229)	5" (127)	5" Ø (127)	1.7" (43)	1.38" R (35)	250 (113)

11



MODEL	DESCRIPTION	PART #	DIMENSIONS IN INCHES (MM)							LBS (KGS)
			A	B	C	D	E	F	G	
UMC-927	ROLLER CHOCK	08830-101A	13" (330)	4.33" (109)	7.88" Ø (194)	5.63" Ø (143)	1" (25)	2.44" Ø (62)	2.83" (72)	50 (23)