



UMC Hatches

T-Bolt Style Round - 18" & 24"

This industry standard steel enclosure is based on the proven strongback style hatch and is operated by a single T-handle bolt. It's easy operation facilitates its convenient use while maintaining a near flush profile.

Features:

- Made from high strength 3/8" steel for better impact resistance
- No tools required single bolt T-handle for secure engagement
- Stainless steel T-Handle and Brass Thread block uses dissimilar metals to prevent galling and ensure trouble free operation
- Nitrile rubber gaskets ensure water tight seal

Also available in Galvanized Steel finish.



Hatch Model	Clear (A) Opening	Outside (B) Diameter	Technical Drawing
UMC-430-18	18" (457mm)	20.75" (527mm)	01210-101A
UMC-430-24	24" (508mm)	26.75" (679mm)	01220-101A



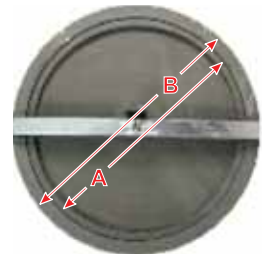
UMC-430-18 Steel Hatch with Stainless Steel Hardware

HATCH MATERIAL:

Steel (ASTM A36)
Painted Primer Grey

HARDWARE:

Tee Bolt - Stainless Steel
Thread Block - Brass
Strongback - Galvanized Steel
Gasket - Nitrile Rubber
Washer - Brass
Handle Gasket - Nitrile Rubber



Single Bolt Style Round - 20" & 22"

This industry standard steel enclosure is also based on the proven strongback style hatch and is operated by a single 7/8" Stainless steel bolt. The simple design provides a secured hatch and flush deck profile.

Features:

- Made from high strength 3/8" steel for better impact resistance
- 1-5/16" wrench required for single bolt secure engagement
- Stainless steel bolt and steel strongback provide dissimilar metals to prevent galling and ensure trouble free operation
- Nitrile rubber gaskets ensure Water tight seal
- Stainless steel chain ensures covers stay attached and never get lost



Hatch Model	Clear (A) Opening	Outside (B) Diameter	Technical Drawing
UMC-301-20	17.75"(451mm)	20" (508mm)	08380-101A
UMC-301-22	19.75"(502mm)	22" (559mm)	08381-101A



UMC-301-20 Steel Hatch with Stainless Steel Hardware

HATCH MATERIAL:

Steel (ASTM A36)
Painted Primer Grey

HARDWARE:

Bolt 7/8-9 - Stainless Steel
Chain - Stainless Steel
Hinge Pin - Stainless Steel
Cotter Pin - Stainless Steel
Washer - Brass
Bolt Gasket - Nitrile Rubber

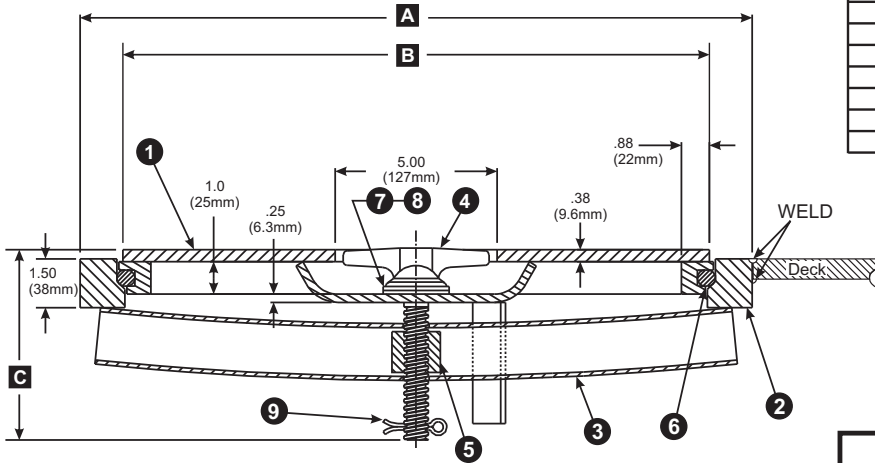




1074 Kenran Industrial Dr.
St. Louis, MO 63137
Phone: 1-800-381-9968

HUMCO DECK FITTINGS

UMC Hatches



BILL OF MATERIAL: UMC-430

PC.NO.	DESCRIPTION	MATERIAL
1	COVER	STEEL
2	DECK RING	STEEL
3	STRONGBACK	GALVANIZED STEEL
4	T-HANDLE	STAINLESS STEEL
5	NUT SQUARE	BRASS
6	GASKET	NITRILE RUBBER
7	WSHER	BRASS
8	HANDLE GASKET	NITRILE RUBBER
9	COTTER PIN	STAINLESS

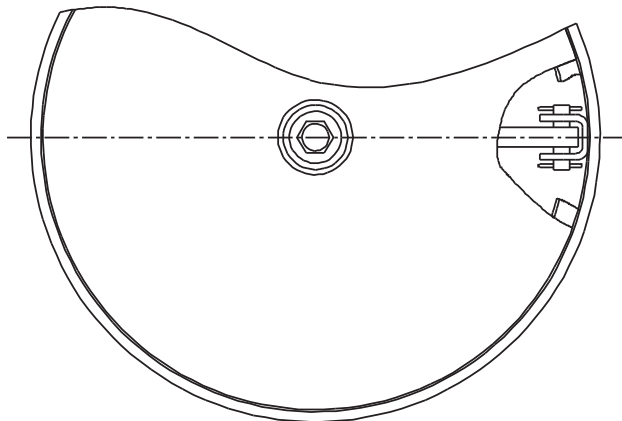


UNIVERSAL FLUSH HATCH

SINGLE BOLT T-HANDLE STYLE
18" & 24" ROUGH OPENING
MODEL 01210-101A - UMC-430-18
MODEL 01220-101A - UMC-430-24

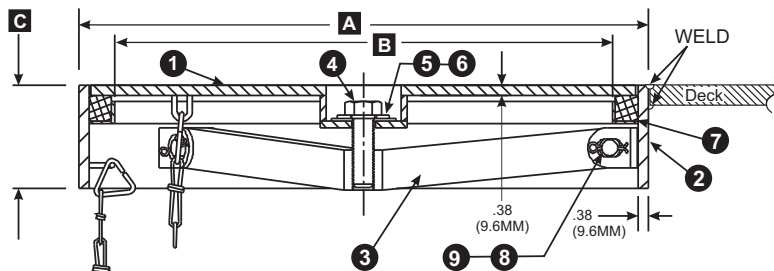
DWG. NO. UMC-430

Model Number	Part Number	DIMENSIONS INCHES (MM)			Weight LBS (KGS)
		A	B	C	
UMC-430-18	01210-101A	20.76 (527)	18.13 (460)	5.89 (150)	81 (37)
UMC-430-24	01220-101A	26.76 (679)	24 (610)	5.76 (150)	120 (55)



BILL OF MATERIAL: UMC-301

PC.NO.	DESCRIPTION	MATERIAL
1	COVER	STEEL
2	COAMING	STEEL
3	STRONGBACK	STEEL
4	BOLT 7/8-9	STAINLESS STEEL
5	WASHER	BRASS
6	BOLT GASKET	NITRILE RUBBER
7	GASKET	NITRILE RUBBER
8	PIN	STEEL
9	COTTER PIN	STAINLESS



Model Number	Part Number	DIMENSIONS INCHES (MM)			Weight LBS (KGS)
		A	B	C	
UMC-301-20	08380-101A	20 (508)	17.75 (450)	4 (102)	70 (32)
UMC-301-22	08381-101A	22 (559)	19.75 (502)	4 (102)	75 (34)



UNIVERSAL FLUSH HATCH

SINGLE BOLT ROUND MANHOLE
20" & 22" OUTSIDE DIAMETER
MODEL 08380-101A - UMC-301-20
MODEL 08381-101A - UMC-301-22

DWG. NO. UMC-301



1074 Kenran Industrial Dr.
St. Louis, MO 63137
Phone: 1-800-381-9968

HUMCO DECK FITTINGS

UMC Hatches

Twist Lock Style Round - Flush & Coaming

The Twist Lock hatch is a simple proven design for hatch enclosures. The twist engagement method for securing this hatch makes this the simplest hatch to operate. This hatch is made from high strength 3/8" cast steel with reinforced ribs. Built-in Lift-out handles are molded into the cover plate for convenience.

Features:

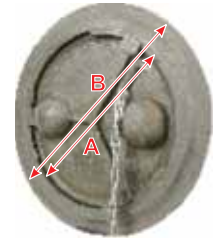
- Low cost - high strength cast steel construction
- Lift-out grab handles Molded into cover casting
- Reinforced steel ribs on cover to provide greater impact resistance
- Galvanized steel chain ensures the cover stays attached and will never get lost



Hatch Model	Clear (A) Opening	Outside (B) Diameter	Technical Drawing
UMC-474	18.6" (472mm)	24" (610mm)	08640-101A
UMC-474-5*	Available w/ 5" Coaming		08641-101A

HATCH MATERIAL:
Steel (ASTM A36)
Painted Primer Grey

HARDWARE:
Gasket - Nitrile Rubber
Chain - Galvanized Steel
Coaming* - Steel



UMC-474 Cast Steel Hatch with Cast Steel Deck Ring

* Coaming Model Not Pictured

Ullage Style Round - 8" & 10"

The Ullage hatch is a strong and secure method of enclosing a tank compartment while still providing easy single bolt operation for inspection or measuring of cargo. Available in 8" and 10" diameters.

Features:

- Low cost - high strength cast steel construction.
- Cast Steel and Stainless Steel Dog handles (grease zerks Optional)
- Bronze tumble bolts for corrosion resistance and trouble free operation
- Bolts and nuts made from dissimilar metals to prevent galling and corrosion
- Simple Ullage arm hinge design allows for simple and clear access to port

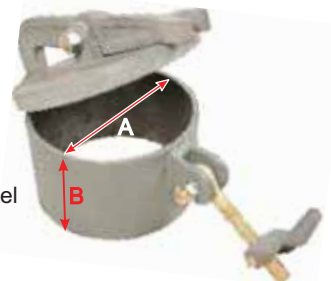
See Additional Products on the Hatch Matrix (p. 904)



Hatch Model	Clear (A) Opening	Coaming Height (B)	Technical Drawing
UMC-144	8" (203mm)	7/8" (22mm)	01242-102A
UMC-144-5	8" (203mm)	5" (127mm)	01242-104B
UMC-569-5	10" (254mm)	5" (127mm)	01243-101A

HATCH MATERIAL:
Steel (ASTM A36)
Painted Primer Grey

HARDWARE:
Tumble Bolt - Bronze
Dog Handle - Steel
Ullage Arm - Steel
Bolt 5/8-11 - Zinc Plated Steel
Nut 5-8-11 - Stainless Steel
Washer - Stainless Steel
Gasket - Nitrile Rubber



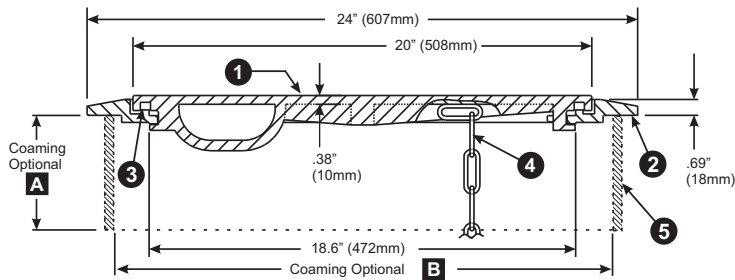
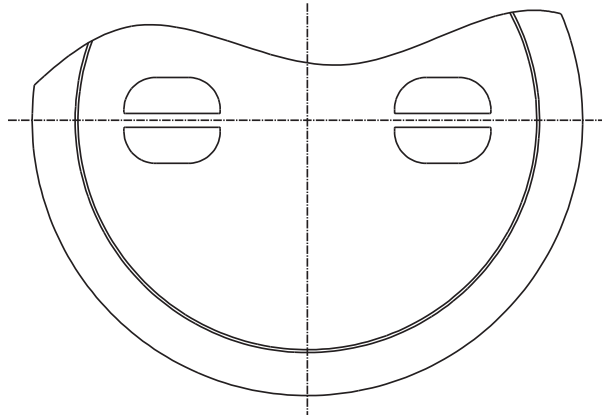
08380-101A Steel Hatch with Stainless Steel Hardware



1074 Kenran Industrial Dr.
St. Louis, MO 63137
Phone: 1-800-381-9968

HUMCO DECK FITTINGS

UMC Hatches



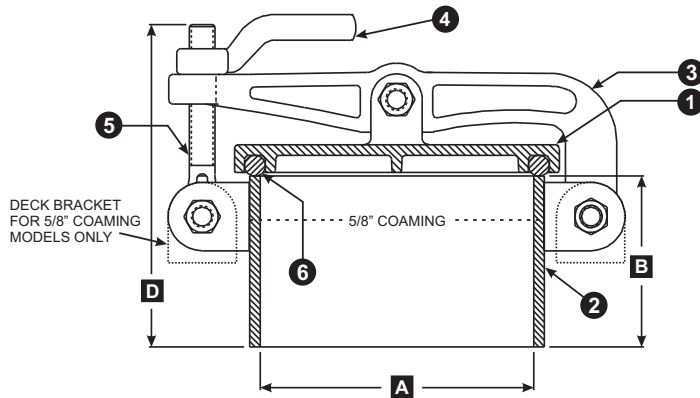
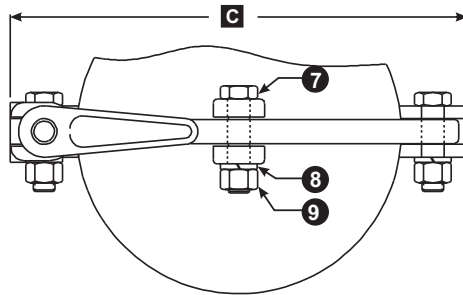
BILL OF MATERIAL: UMC-474

PC.NO.	DESCRIPTION	MATERIAL
1	COVER	STEEL
2	DECK RING	STEEL
3	GASKET	NITRILE RUBBER
4	CHAIN	STAINLESS STEEL
5	COAMING	STEEL

Model Number	Part Number	DIMENSIONS INCHES (MM)		Weight LBS (KGS)
		A	B	
UMC-474	08640-101A	N/A	N/A	85 (39)
UMC-474-5	08641-101A	5" (127)	21.75" (552)	118 (54)

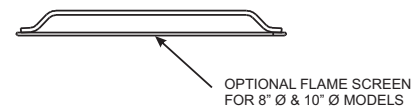
UNIVERSAL FLUSH HATCH
STEEL TWIST LOCK HATCH
24" ROUND OVERALL DIAMETER
MODEL 08640-101A - UMC-474
MODEL 08641-101A - UMC-474-5

DWG. NO. UMC-474



BILL OF MATERIAL: UMC-144

PC.NO.	DESCRIPTION	MATERIAL
1	COVER	STEEL
2	COAMING	STEEL
3	ULLAGE HANDLE	STEEL
4	DOG HANDLE	STEEL
5	TUMBLE BOLT	BRONZE
6	GASKET	NITRILE RUBBER
7	BOLT 5/8-11	ZINC PLATED STEEL
8	NUT 5/8-11	STAINLESS STEEL
9	WASHER 5/8	STAINLESS STEEL



11

Model Number	Part Number	DIMENSIONS INCHES (MM)				Weight LBS (KGS)
		A	B	C	D	
UMC-144	01242-102A	8" (203)	5/8" (16)	14" (356)	6.63" (168)	70(32)
UMC-144-5	01242-104B	8" (203)	5" (127)	14" (356)	9.44" (240)	70(32)
UMC-569-5	01243-101A	10" (254)	5" (127)	15.23"(387)	9.31" (236)	75(34)

UNIVERSAL RAISED HATCH
SINGLE BOLT ULLAGE HATCH
8" & 10" ROUGH OPENING
MODEL 01242-102A - UMC-144
MODEL 01242-104B - UMC-144-5
MODEL 01243-101A - UMC-569-5

DWG. NO. UMC-144



UMC Hatches

Multi-Dog Style Round - 4 Dog & 3 Dog

Multi-Dog Raised hatches are a strong and secure working enclosure system. They are universally used hardware on all kinds of commercial vessels from small workboats to ocean going cargo ships. Their simple design and quality steel construction help them meet the long range trouble free service requirements in the harshest environments.

Features:

- Low cost - high strength cast steel construction
- Cast Steel and Stainless Steel Dog handles (available with grease zerks optional)
- Bronze tumble bolts for corrosion resistance and trouble free operation
- Bolts and nuts made from dissimilar metals to prevent galling and corrosion

See additional products on the Hatch Matrix (p. 903)



Hatch Model	Clear (A) Opening	Number of Dogs	Technical Drawing
UMC-456-5	12" (305mm)	3 Dog	03410-101A
UMC-343-5	19" (305mm)	4 Dog	01230-101A

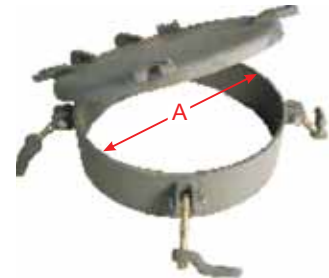


HATCH MATERIAL:

Steel (ASTM A36)
Painted Primer Grey

HARDWARE:

Tumble Bolt - Bronze
Dog Handle - Steel
Bolt 5/8-11 - Zinc Plated Steel
Nut 5-8-11 - Stainless Steel
Gasket - Nitrile Rubber



UMC-456-5 Steel Hatch 4-Dog

Multi-Dog Style Oval - 2 Dog & 4 Dog

Multi-Dog Raised hatches are a strong and secure enclosure system. They are universally used hardware on all kinds of commercial vessels.

Features:

- Cast Steel and Stainless Steel dog handles (available with grease zerks optional)
- Bronze tumble bolts for corrosion resistance and trouble free operation
- Bolts and nuts made from dissimilar metals to prevent galling and corrosion

See additional products on the Hatch Matrix (p. 905)



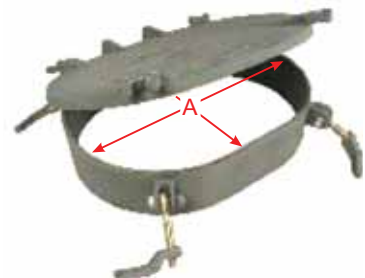
Hatch Model	Clear (A) Opening	Number of Dogs	Technical Drawing
UMC-274-5	15" x 23" (381 x 548 mm)	2 Dog	01241-105A
UMC-174-5	15" x 23" (381 x 548 mm)	4 Dog	01240-102A
UMC-464-5	18" x 24" (457 x 609 mm)	4 Dog	03800-101A

HATCH MATERIAL:

Steel (ASTM A36)
Painted Primer Grey

HARDWARE:

Tumble Bolt - Bronze
Dog Handle - Steel
Bolt 5/8-11 - Zinc Plated Steel
Nut 5-8-11 - Stainless Steel
Gasket - Nitrile Rubber



UMC-274-5 Steel Hatch 2-Dog



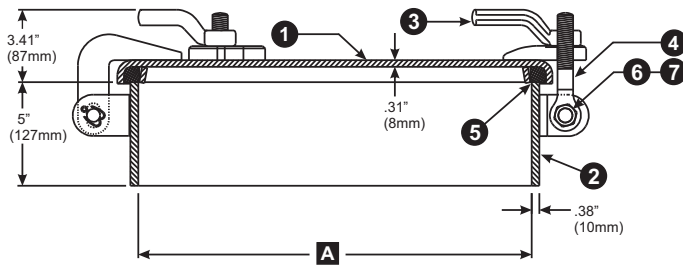
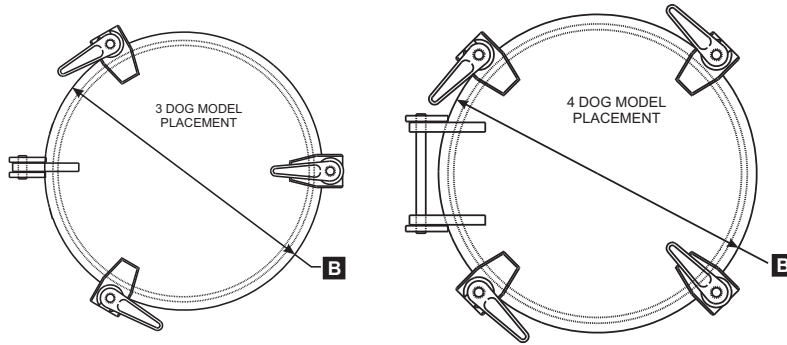
UMC-46-5 Steel Hatch 4-Dog



1074 Kenran Industrial Dr.
St. Louis, MO 63137
Phone: 1-800-381-9968

HUMCO DECK FITTINGS

UMC Hatches



BILL OF MATERIAL: UMC-343

PC.NO.	DESCRIPTION	MATERIAL
1	COVER	STEEL
2	COAMING	STEEL
3	DOG HANDLE	STEEL
4	TUMBLE BOLT	BRASS
5	GASKET	NITRILE RUBBER
6	BOLT 5/8-11	ZINC PLATED STEEL
7	NUT 5/8-11	STAINLESS STEEL



UNIVERSAL RAISED HATCH

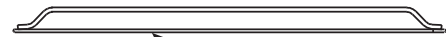
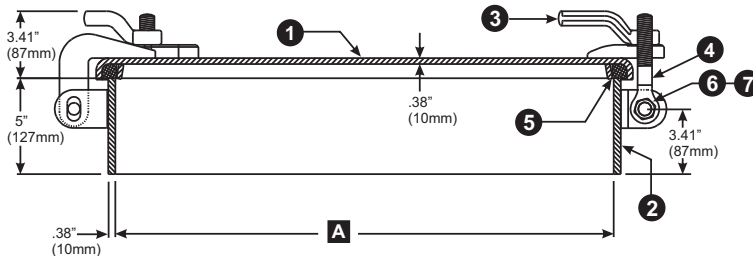
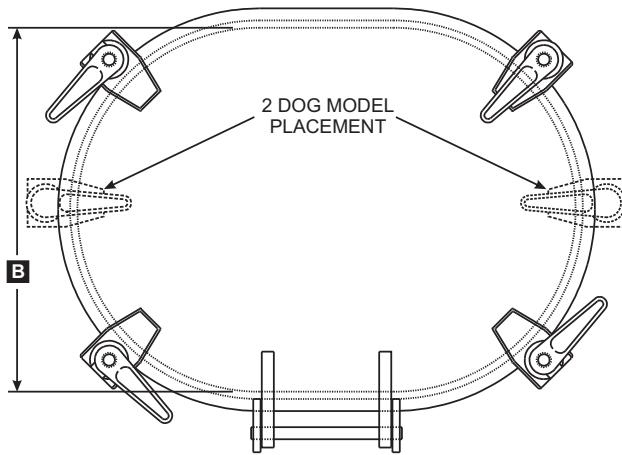
MULTI-DOG RAISED HATCH
22" ROUGH OPENING
MODEL 03410-101A - UMC-456-5
MODEL 01230-101A - UMC-343-5

DWG. NO. UMC-343

Model Number	Part Number	DIMENSIONS INCHES (MM)		# OF DOGS	Weight LBS (KGS)
		A	B		
UMC-456-5	03410-101A	12" (305)	13.75" (349)	3 DOG	85 (39)
UMC-343-5	01230-101A	19" (483)	21" (533)	4 DOG	92 (42)

BILL OF MATERIAL: UMC-174

PC.NO.	DESCRIPTION	MATERIAL
1	COVER	STEEL
2	COAMING	STEEL
3	DOG HANDLE	STEEL
4	TUMBLE BOLT	BRASS
5	GASKET	NITRILE RUBBER
6	BOLT 5/8-11	ZINC PLATED STEEL
7	NUT 5/8-11	STAINLESS STEEL



OPTIONAL FLAME SCREEN
FOR 18" X 24" MODELS

11



UNIVERSAL RAISED HATCH

MULTI-DOG RAISED HATCH
15"X23" & 18"X24" ROUGH OPENING
MODEL 01241-105A - UMC-274-5
MODEL 01240-102A - UMC-174-5
MODEL 03800-101A - UMC-464-5

DWG. NO. UMC-174

Model Number	Part Number	DIMENSIONS INCHES (MM)		# OF DOGS	Weight LBS (KGS)
		A	B		
UMC-274-5	01241-105A	15" (382)	23" (584)	2 DOG	91(41.2)
UMC-174-5	01240-102A	15" (382)	23" (584)	4 DOG	97(44)
UMC-464-5	03800-101A	18.25" (457)	24.25" (607)	4 DOG	106(48)

901



1074 Kenran Industrial Dr.
St. Louis, MO 63137
Phone: 1-800-381-9968

HUMCO DECK FITTINGS

UMC Hatches

Multi-Dog Combo Hatch Oval - 4 Dog w/ Ullage

Multi-Dog Raised hatches are a strong and secure working enclosure system. The added Ullage hatch is likewise a strong and secure method of enclosing a tank compartment while still providing easy single-bolt operation for inspection or measuring of cargo.

Features:

- Low cost - high strength cast steel construction
- Cast Steel and Stainless Steel Dog handles (grease zerks optional)
- Bronze tumble bolts for corrosion resistance and trouble free operation
- Bolts and nuts made from dissimilar metals to prevent galling and corrosion

See additional products on the Hatch Matrix (p. 906)



UMC-464-5 Steel Hatch 4-Dog with 8" Ullage Inspection

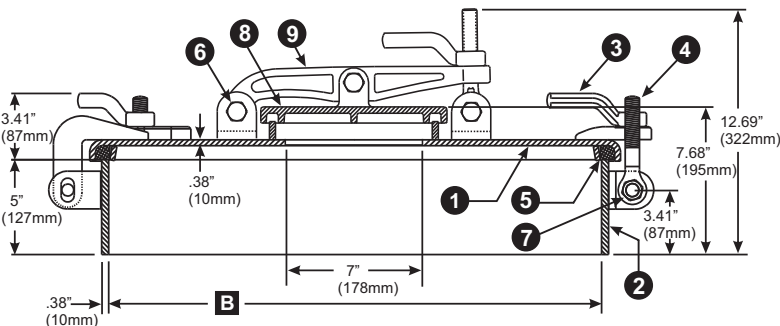
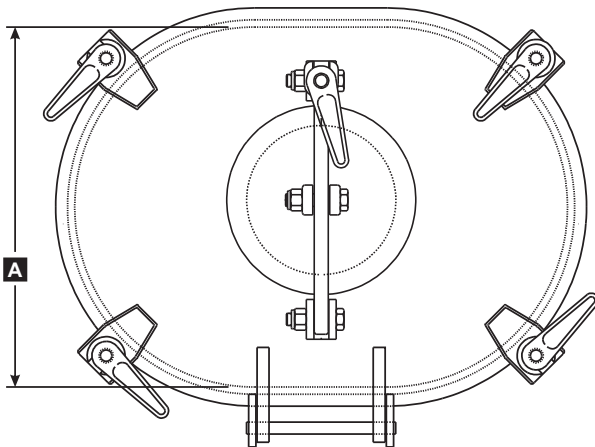
Hatch Model	Clear (A) Opening	Number of Dogs	Technical Drawing
UMC-464-5 w/144Ullage	18" x 24" (457 x 609 mm) Ullage - 7" (178 mm)	4 Dog 1 Dog	03800-130K

HATCH MATERIAL:

Steel (ASTM A36)
Painted Primer Grey

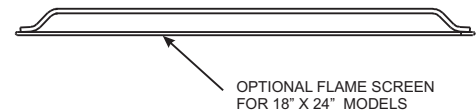
HARDWARE:

Tumble Bolt - Bronze
Dog Handle - Steel
Ullage Arm - Steel
Bolt 5/8-11 - Zinc Plated Steel
Nut 5-8-11 - Stainless Steel
Washer - Stainless Steel
Gasket - Nitrile Rubber



BILL OF MATERIAL: UMC-464/144

PC.NO.	DESCRIPTION	MATERIAL
1	COVER	STEEL
2	COAMING	STEEL
3	DOG HANDLE	STEEL
4	TUMBLE BOLT	BRASS
5	GASKET	NITRILE RUBBER
6	BOLT 5/8-11	ZINC PLATED STEEL
7	NUT 5/8-11	STAINLESS STEEL
8	ULLAGE COVER	STEEL
9	ULLAGE ARM	STEEL





UNIVERSAL RAISED HATCH
MULTI-DOG RAISED HATCH
18"X24" ROUGH OPENING W/ 8" ULLAGE
MODEL 03800-130K - UMC-464-5/144

DWG. NO. UMC-174/144

Model Number	Part Number	DIMENSIONS INCHES (MM)		# OF DOGS	Weight LBS (KGS)
		A	B		
UMC-464-5/144	03800-130K	18.31" (465)	24.25" (616)	5 DOG	126 (57)



1074 Kenran Industrial Dr.
St. Louis, MO 63137
Phone: 1-800-381-9968

HUMCO DECK FITTINGS

UMC Marine Hatch Product Matrix and Spare Parts List



UMC Marine Hatch Product Matrix and Spare Parts List

UMC-456 - 03410 Series - Multi-Dog Hatch - 12" Round 3 Dog

P/N	Desc / Quantity	Cover Material	Coaming Material	Coaming Height	Gasket Material	Paint Spec	Dog Handles	Tumble Bolt	Lug Bolt	Lug Nut	Hinge Pin	Hasp Lock
		1	1		1		3	3	3	3	1	
03410-101A	Hatch, 12" Rnd 3 Dog Std Paint Ntrl Gas	ST	ST	5"	NTRL	PRIMER	ST	BR	ST	ST	ST	NO
03410-101D	Hatch, 12" Rnd 3 Dog Spl Paint HD pack Hasp	ST	ST	5"	PTFE	PRIMER EXT ONLY	ST	BR	ST	ST	ST	YES
03410-103D	Hatch, 12" Rnd 3 Dog Spl Paint	ST	ST	5"	NONE	PRIMER EXT ONLY	ST	BR	ST	ST	ST	YES
18" Coaming Hatches												
03410-102A	Hatch, 12" Rnd 3 Dog Spl Paint 18" Coam	ST	ST	18"	NONE	PRIMER EXT ONLY	ST	BR	ST	ST	ST	YES
03410-101B	Hatch, 12" Rnd 3 Dog Spl Paint HD pack 18" Coam	ST	ST	18"	PTFE	PRIMER EXT ONLY	ST	BR	ST	ST	ST	YES
03410-101C	Hatch, 12" Rnd 3 Dog Spl Paint SS Hw HD pack Hasp	ST	ST	5"	PTFE	PRIMER EXT ONLY	SS	SS	SS	SS	SS	YES
03410-103C	Hatch, 12" Rnd 3 Dog Spl Paint SS Hw Hasp	ST	ST	5"	NONE	PRIMER EXT ONLY	SS	SS	SS	SS	SS	YES
03410-101E	Hatch, 12" Rnd 3 Dog SPI Paint Ntrl Gas Zerk Dog	ST	ST	5"	NTRL	PRIMER EXT ONLY	ST/ZRK	BR	ST	ST	ST	NO
03410-103E	Hatch, 12" Rnd 3 Dog SPI Paint Zerk Dog	ST	ST	5"	NONE	PRIMER EXT ONLY	ST/ZRK	SS	SS	SS	SS	YES
03410-103J	Hatch, 12" Rnd 3 Dog SPI Paint Zerk Dog 8" Coaming	ST	ST	8"	NONE	PRIMER EXT ONLY	ST/ZRK	SS	SS	SS	SS	YES

Definitions

NTRL = NITRILE RUBBER - 03410-701A
PTFE = BRAIDED TFE PACKING - 03410-701B
NONE = NO GASKET PROVIDED
PRIMER = GREY PRIMER FINISH ON ALL SURFACES
PRIMER EXT ONLY = GREY PRIMER FINISH ON EXTERIOR

Parts List

	Dog Handles	Tumble Bolt	Lug Bolt	Lug Nut	Hinge Pin	Hasp Lock
ST = STEEL OR CAST IRON	01240-302A	NA	01240-801A	03570-805A	03410-204A	03410-205A
BR = BRONZE	01240-302B	01240-201A	NA	02570-802B		
SS = STAINLESS STEEL	01240-302C	01240-201B	01240-801B	02570-802A	03410-204B	
ST/ZRK = CAST STEEL WITH ZERK	01240-312A	NA	NA	NA		

UMC-343 - 01230 Series - Multi-Dog Hatch - 19" Round 4 Dog

P/N	Desc / Quantity	Cover Material	Coaming Material	Coaming Height	Gasket Material	Paint Spec	Dog Handles	Tumble Bolt	Lug Bolt	Lug Nut	Hinge Pin	Hasp Lock
		1	1		1		4	4	4	4	1	
01230-101A	Hatch, 19" Rnd 4 Dog Std Paint	ST	ST	5"	NONE	PRIMER	ST	BR	ST	ST	ST	NO
01230-111C	Hatch, 19" Rnd 4 Dog Spl Paint Hasp	ST	ST	5"	NONE	PRIMER EXT ONLY	ST	BR	ST	ST	ST	YES
01230-101C	Hatch, 19" Rnd 4 Dog Spl Paint HD pack	ST	ST	5"	PTFE	PRIMER EXT ONLY	ST	BR	ST	ST	ST	NO
01230-101B	Hatch, 19" Rnd 4 Dog Spl Paint	ST	ST	5"	NONE	PRIMER EXT ONLY	SS	SS	ST	ST	ST	NO
01230-101E	Hatch, 19" Rnd 4 Dog Spl Paint HD pack SS Hw	ST	ST	5"	PTFE	PRIMER EXT ONLY	SS	SS	SS	SS	SS	NO
01230-111E	Hatch, 19" Rnd 4 Dog Spl Paint SS Hw	ST	ST	5"	NONE	PRIMER EXT ONLY	SS	SS	SS	SS	SS	NO
01230-102M	Hatch, 19" Rnd 4 Dog Std Paint SS Nut No Dog	ST	ST	5"	NONE	PRIMER	FLNG NUT SS	BR	ST	ST	ST	NO
01230-101MN	Hatch, 19" Rnd 4 Dog Std Paint Ntrl Gas SS Nut No Dog	ST	ST	5"	NTRL	PRIMER	FLNG NUT SS	BR	ST	ST	ST	NO
01230-101M	Hatch, 19" Rnd 4 Dog Std Paint HD Pack SS Nut No Dog	ST	ST	5"	PTFE	PRIMER	FLNG NUT SS	BR	ST	ST	ST	NO
01230-101J	Hatch, 19" Rnd 4 Dog Spl Paint Ntrl Gas SS Hw SS Nut No Dog	ST	ST	5"	NTRL	PRIMER EXT ONLY	FLNG NUT SS	SS	SS	SS	SS	NO
01230-111D	Hatch, 19" Rnd 4 Dog Std Paint SS Hw SS Nut No Dog	ST	ST	5"	NONE	PRIMER	STD NUT SS	SS	SS	SS	SS	NO
01230-101G	Hatch, 19" Rnd 4 Dog Std Paint Ntrl Gas SS Hw SS Nut No Dog	ST	ST	5"	NTRL	PRIMER	STD NUT SS	SS	SS	SS	SS	NO
01230-101F	Hatch, 19" Rnd 4 Dog Spl Paint Ntrl Gas SS Hw SS Nut No Dog	ST	ST	5"	NTRL	PRIMER EXT ONLY	STD NUT SS	SS	SS	SS	SS	NO
01230-101D	Hatch, 19" Rnd 4 Dog Spl Paint HD pack SS Nut No Dog	ST	ST	5"	PTFE	PRIMER EXT ONLY	STD NUT SS	SS	SS	SS	SS	NO
01230-111K	Hatch, 19" Rnd 4 Dog Spl Paint Zerk Dog Hasp	ST	ST	5"	NONE	PRIMER EXT ONLY	ST/ZRK	BR	ST	ST	ST	YES
01230-101K	Hatch, 19" Rnd 4 Dog Spl Paint HD pack Zerk Dog	ST	ST	5"	PTFE	PRIMER EXT ONLY	ST/ZRK	BR	ST	ST	ST	NO
All Stainless Steel Hatch - Stainless Cover and Coaming												
01230-111T	SS Hatch, 19" Rnd 4 Dog Spl Paint SS/BR	SS	SS	5"	NONE	NONE	SS	BR	SS	BR	SS	NO
01230-101T	SS Hatch, 19" Rnd 4 Dog Spl Paint HD Pack SS/BR	SS	SS	5"	PTFE	NONE	SS	BR	SS	SS	SS	NO
01230-101S	SS Hatch, 19" Rnd 4 Dog Spl Paint SS/BR Metric M16	SS	SS	5"	NONE	NONE	SS	BR	SS-M16	BR-M16	SS	NO

Definitions

NTRL = NITRILE RUBBER - 01241-701A
PTFE = BRAIDED TFE PACKING - 01241-701B
NONE = NO GASKET PROVIDED
PRIMER = GREY PRIMER FINISH ON ALL SURFACES
PRIMER EXT ONLY = GREY PRIMER FINISH ON EXTERIOR

Parts List

	Dog Handles	Tumble Bolt	Lug Bolt	Lug Nut	Hinge Pin	Hasp Lock
ST = STEEL OR CAST IRON	01240-302A	NA	01240-801A	03570-805A	01230-801A	03410-205A
BR = BRONZE	01240-302B	01240-201A	NA	02570-802B		
SS = STAINLESS STEEL	01240-302C	01240-201B	01240-801B	02570-802A	01230-801B	
ST/ZRK = CAST STEEL WITH ZERK	01240-312A	NA	NA	NA		
NUT SS = STAINLESS STEEL FLANGE NUTS	56020-012SS	NA	NA	NA		
STD NUT SS = STAINLESS STEEL NUTS	01230-802A	NA	NA	NA		
SS-M16 = STAINLESS STEEL METRIC M-16	NA	NA	01230-804A	NA		
BR-M16 = BRONZE METRIC - M-16	NA	NA	NA	01230-803A		



1074 Kenran Industrial Dr.
St. Louis, MO 63137
Phone: 1-800-381-9968

HUMCO DECK FITTINGS

UMC Marine Hatch Product Matrix and Spare Parts List



UMC Marine Hatch Product Matrix and Spare Parts List

UMC-144 & UMC 569 - Ullage Style Hatch

P/N	Desc / Quantity	Cover	Coaming	Clear	Coaming	Gasket	Paint	Dog	Tumble	Lug	Lug	Hasp
		Material	Material	Opening	Height	Material	Spec	Handles	Bolt	Bolt	Nut	Lock
		1	1			1		1	1	1	1	
UMC 144 - 8" Clear Opening												
01242-102A	Hatch, Ullage 8" Std Paint Ntrl Gas 7/8" Coam	ST	ST	5"	7/8"	NTRL	PRIMER	ST	BR 5"	BR	SS	NO
01242-102E	Hatch, Ullage 8" SPL Paint Ntrl Gas 7/8" Coam	ST	ST	5"	7/8"	NONE	PRIMER EXT ONLY	ST	BR 5"	BR	SS	NO
01242-102B	Hatch, Ullage 8" SPL Paint Ntrl Gas 7/8" Coam SS Hw	ST	ST	5"	7/8"	NTRL	PRIMER EXT ONLY	SS	SS 5"	SS	SS	NO
01242-103B	Hatch, Ullage 8" SPL Paint HD Pack 7/8" Coam SS Hw	ST	ST	5"	7/8"	PTFE	PRIMER EXT ONLY	SS	SS 5"	SS	SS	NO
01242-102C	Hatch, Ullage 8" SPL Paint 7/8" Coam SS Hw	ST	ST	5"	7/8"	NONE	PRIMER EXT ONLY	SS	SS 5"	SS	SS	NO
01242-102J	Hatch, Ullage 8" SPL Paint 7/8" Coam SS Hw Zerk Dog	ST	ST	5"	7/8"	NONE	PRIMER EXT ONLY	ST/ZRK	SS 5"	SS	SS	NO
01242-102K	Hatch, Ullage 8" SPL Paint 7/8" Coam Zerk Dog	ST	ST	5"	7/8"	NONE	PRIMER EXT ONLY	SS/ZRK	BR 5"	BR	SS	NO
01242-102S	SS Hatch, Ullage 8" 7/8" Coam SS Hw Metric M16	SS	SS	5"	7/8"	NTRL	NONE	SS	BR 5"	SS M16	BR M16	NO
01242-104B	Hatch, Ullage 8" SPL Paint Ntrl Gas 5" Coam Zerk Dog	ST	ST	5"	5"	NTRL	PRIMER EXT ONLY	ST/ZRK	BR 5.6"	BR	SS	NO
01242-104A	Hatch, Ullage 8" SPL Paint HD Pack 5" Coam Zerk Dog	ST	ST	5"	5"	PTFE	PRIMER EXT ONLY	ST/ZRK	BR 5.6"	BR	SS	NO
01242-104C	Hatch, Ullage 8" SPL Paint HD Pack 5" Coam Zerk Dog Hasp	ST	ST	5"	5"	PTFE	PRIMER EXT ONLY	ST/ZRK	BR 5.6"	BR	SS	YES
01242-114A	Hatch, Ullage 8" SPL Paint 5" Coam Zerk Dog	ST	ST	5"	5"	NONE	PRIMER EXT ONLY	ST/ZRK	BR 5.6"	BR	SS	NO
01242-114C	Hatch, Ullage 8" SPL Paint 5" Coam Zerk Dog Hasp	ST	ST	5"	5"	NONE	PRIMER EXT ONLY	ST/ZRK	BR 5.6"	BR	SS	YES
01242-116A	Hatch, Ullage 8" SPL Paint Ntrl Gas 12" Coam	ST	ST	5"	12"	NTRL	PRIMER EXT ONLY	ST	BR 5.6"	BR	SS	NO
01242-105B	Hatch, Ullage 8" SPL Paint Ntrl Gas 12" Coam Hasp	ST	ST	5"	12"	NTRL	PRIMER EXT ONLY	ST	BR 5.6"	BR	SS	YES
01242-105A	Hatch, Ullage 8" SPL Paint HD Pack 12" Coam	ST	ST	5"	12"	PTFE	PRIMER EXT ONLY	ST	BR 5.6"	BR	SS	NO
01242-105C	Hatch, Ullage 8" SPL Paint HD Pack 12" Coam Hasp	ST	ST	5"	12"	PTFE	PRIMER EXT ONLY	ST	BR 5.6"	BR	SS	YES
01242-106A	Hatch, Ullage 8" SPL Paint 12" Coam	ST	ST	5"	12"	NONE	PRIMER EXT ONLY	ST	BR 5.6"	BR	SS	NO
01242-106C	Hatch, Ullage 8" SPL Paint 12" Coam Hasp	ST	ST	5"	12"	NONE	PRIMER EXT ONLY	ST	BR 5.6"	BR	SS	YES
01242-106J	Hatch, Ullage 8" SPL Paint Ntrl Gas 12" Coam Zerk Dog Hasp	ST	ST	5"	12"	NTRL	PRIMER EXT ONLY	ST/ZRK	SS 5.6"	SS	SS	YES
UMC-569 - 10" Clear Opening												
01243-101A	Hatch, Ullage 10" SPL Paint HD Pack 5" Coam SS Hw	ST	ST	10"	5"	PTFE	PRIMER EXT ONLY	SS	SS 5.6"	SS	SS	NO
01243-105A	Hatch, Ullage 10" SPL Paint 5" Coam SS Hw	ST	ST	10"	5"	NONE	PRIMER EXT ONLY	SS	SS 5.6"	SS	SS	NO
01243-105C	Hatch, Ullage 10" SPL Paint 5" Coam SS Hw Zerk Dog Hasp	ST	ST	10"	5"	NONE	PRIMER EXT ONLY	ST/ZRK	SS 5.6"	SS	SS	YES
01243-105K	Hatch, Ullage 10" SPL Paint 5" Coam SS Hw Zerk Dog	ST	ST	10"	5"	NONE	PRIMER EXT ONLY	SS/ZRK	SS 5.6"	SS	SS	NO
01243-101S	SS Hatch, Ullage 10" SPL Paint HD Pack 5" Coam SS Hw	SS	SS	10"	5"	PTFE	NONE	SS	SS 5.6"	SS	SS	NO
01243-105S	SS Hatch, Ullage 10" SPL Paint 5" Coam SS Hw	SS	SS	10"	5"	NONE	NONE	SS	BR 5.6"	SS	BR	NO

Definitions

NTRL = NITRILE RUBBER - 01242-701A
PTFE = BRAIDED TFE PACKING FOR 8" - 01242-701B BRAIDED TFE PACKING FOR 10" - 01243-701B & 01243-702B
NONE = NO GASKET PROVIDED
PRIMER = GREY PRIMER FINISH ON ALL SURFACES
PRIMER EXT ONLY = GREY PRIMER FINISH ON EXTERIOR

Parts List

	Dog	Tumble	Lug	Lug	Hasp
	Handles	Bolt	Bolt	Nut	Lock
ST = STEEL OR CAST IRON	01240-302A	NA	01240-801A	03570-805A	03410-205B
BR = BRONZE	01240-302B	01240-201A 5" 01240-210A 5.6"	NA	02570-802B	
SS = STAINLESS STEEL	01240-302C	01240-201B 5" 01240-210B 5.6"	01240-801B	02570-802A	
ST/ZRK = CAST STEEL WITH ZERK	01240-312A	NA	NA	NA	
SS/ZRK = STAINLESS STEEL WITH ZERK	01240-312C				



1074 Kenran Industrial Dr.
St. Louis, MO 63137
Phone: 1-800-381-9968

HUMCO DECK FITTINGS

UMC Marine Hatch Product Matrix and Spare Parts List



UMC Marine Hatch Product Matrix and Spare Parts List

UMC-274 & UMC 174 - 15" X 23" Oval Multi-Dog Hatch

P/N	Desc / Quantity	Cover Material	Coaming Material	Coaming Height	Gasket Material	Paint Spec	Dog Handles	Tumble Bolt	Lug Bolt	Lug Nut	Hinge Pin	Hasp Lock
15"x 23" 2 Dog Hatch		1	1		1		2	2	2	2		
01241-105A	Hatch, 15x23 2 Dog Std Paint Ntrl Gas	ST	ST	5"	NTRL	PRIMER	ST	BR	ST	ST	ST	NO
01241-105C	Hatch, 15x23 2 Dog Std Paint Ntrl Gas SS Hw	ST	ST	5"	NTRL	PRIMER	SS	SS	SS	SS	SS	NO
15"x 23" 4 Dog Hatch		1	1		1		4	4	4	4		
01240-102A	Hatch, 15x23 4 Dog Std Paint Ntrl Gas	ST	ST	5"	NTRL	PRIMER	ST	BR	ST	ST	ST	NO
01240-102B	Hatch, 15x23 4 Dog SPL Paint Ntrl Gas SS Hw	ST	ST	5"	NTRL	PRIMER EXT ONLY	SS	SS	SS	SS	ST	NO
01240-112E	Hatch, 15x23 4 Dog SPL Paint	ST	ST	5"	NONE	PRIMER EXT ONLY	ST	BR	ST	ST	ST	NO
01240-102E	Hatch, 15x23 4 Dog Std Paint Ntrl Gas 12" Coam	ST	ST	12"	NTRL	PRIMER	ST	BR	ST	ST	ST	NO
01240-102C	Hatch, 15x23 4 Dog Std Paint Ntrl Gas 600mm Co	ST	ST	600 mm	NTRL	PRIMER	ST	BR	ST	ST	ST	NO
All Stainless Steel Hatch - Stainless Cover and Coaming												
01240-102S	SS Hatch, 15x23 4 Dog Ntrl Gas SS Hw	SS	SS	5"	NTRL	NONE	SS	SS	SS	BR	SS	NO

Definitions

NTRL = NITRILE RUBBER - 01242-701A
PTFE = BRAIDED TFE PACKING FOR 8" - 01242-701B
NONE = NO GASKET PROVIDED
PRIMER = GREY PRIMER FINISH ON ALL SURFACES
PRIMER EXT ONLY = GREY PRIMER FINISH ON EXTERIOR

Parts List

	Dog Handles	Tumble Bolt	Lug Bolt	Lug Nut	Hinge Pin	Hasp Lock
ST = STEEL OR CAST IRON	01240-302A	NA	01240-801A	03570-805A	01240-208A	03410-205B
BR = BRONZE	01240-302B	01240-201A	NA	02570-802B		
SS = STAINLESS STEEL	01240-302C	01240-201B	01240-801B	02570-802A	01240-208B	

UMC-464-5 - 03800 Series - Multi-Dog Hatch - 18" x 24" 4 dog

P/N	Desc / Quantity	Cover Material	Coaming Material	Coaming Height	Gasket Material	Paint Spec	Dog Handles	Tumble Bolt	Lug Bolt	Lug Nut	Hinge Pin	Hasp Lock
03800-101A Hatch, 18x24 4 Dog Std Paint Ntrl Gas		1	1	5"	1		4	4	4	4		
03800-101A	Hatch, 18x24 4 Dog Std Paint Ntrl Gas	ST	ST	5"	NTRL	PRIMER	ST	BR	ST	ST	ST	NO
03800-101F	Hatch, 18x24 4 Dog Std Paint HD Pack	ST	ST	5"	PTFE	PRIMER	ST	BR	ST	ST	ST	NO
03800-101B	Hatch, 18x24 4 Dog SPL Paint HD-Pack Hasp	ST	ST	5"	PTFE	PRIMER EXT ONLY	ST	BR	ST	ST	ST	YES
03800-102A	Hatch, 18x24 4 Dog SPL Paint Hasp	ST	ST	5"	NONE	PRIMER EXT ONLY	ST	BR	ST	ST	ST	YES
03800-101G	Hatch, 18x24 4 Dog Spl Paint	ST	ST	5"	NONE	PRIMER EXT ONLY	ST	BR	ST	ST	ST	NO
03800-103A	Hatch, 18x24 4 Dog SPL Paint 8" Coam	ST	ST	8"	NONE	PRIMER EXT ONLY	ST	BR	ST	ST	ST	NO
03800-101H	Hatch, 18x24 4 Dog Spl Paint Flax Pack Hasp	ST	ST	5"	FLAX	PRIMER EXT ONLY	ST	BR	ST	ST	ST	YES
03800-101C	Hatch, 18x24 4 Dog Std Paint Ntrl Gas SS-Dog	ST	ST	5"	NTRL	PRIMER EXT ONLY	SS	SS	ST	ST	ST	NO
03800-101J	Hatch, 18x24 4 Dog Zinc Paint Ntrl Gas	ST	ST	5"	NTRL	INTERPZINC 22	SS	SS	ST	ST	ST	NO
03800-101D	Hatch, 18x24 4 Dog Std Paint SS Hw HD Pack H	ST	ST	5"	PTFE	PRIMER EXT ONLY	SS	SS	SS	SS	SS	YES
03800-102D	Hatch, 18x24 4 Dog SPL Paint SS Hw hasp	ST	ST	5"	NONE	PRIMER EXT ONLY	SS	SS	SS	SS	SS	YES
03800-102E	Hatch, 18x24 4 Dog SPL Paint SS Hw Zerk Dog H	ST	ST	5"	NONE	PRIMER EXT ONLY	ST/ZRK	SS	SS	SS	SS	YES
03800-102J	Hatch, 18x24 4 Dog SPL Paint SS Hw Zerk Dog H	ST	ST	5"	NTRL	PRIMER EXT ONLY	ST/ZRK	SS	SS	SS	SS	NO
03800-102U	Hatch, 18x24 4 Dog 8" Coam SPL Paint SS Hw Z	ST	ST	8"	NONE	PRIMER EXT ONLY	ST/ZRK	SS	SS	SS	SS	YES
03800-101P	Hatch, 18x24 4 Dog SPL Paint SS Hw Zerk Dog H	ST	ST	5"	NTRL	PRIMER EXT ONLY	ST/ZRK	SS	ST	ST	SS	NO
03800-101E	Hatch, 18x24 4 Dog Std Paint Zerk Dog	ST	ST	5"	NONE	PRIMER EXT ONLY	ST/ZRK	BR	ST	ST	ST	NO
03800-102K	Hatch, 18x24 4 Dog Std Paint Zerk Dog Hasp	ST	ST	5"	NONE	PRIMER EXT ONLY	ST/ZRK	BR	ST	ST	ST	YES
03800-101M	Hatch, 18x24 4 Dog Spl Paint HD Pack Hasp	ST	ST	5"	PTFE	PRIMER EXT ONLY	NUT SS	BR	ST	ST	ST	YES
03800-101MN	Hatch, 18x24 4 Dog Spl Paint Ntrl Gas Hasp	ST	ST	5"	NTRL	PRIMER EXT ONLY	NUT SS	BR	ST	ST	ST	YES
03800-102M	Hatch, 18x24 4 Dog Spl Paint Hasp	ST	ST	5"	NONE	PRIMER EXT ONLY	NUT SS	BR	ST	ST	ST	YES
All Stainless Steel Hatch - Stainless Cover and Coaming												
03800-101S	SS Hatch, 18x24 4 Dog SS/BR Metric M16	SS	SS	5"	NONE	NONE	SS	BR	SS-M16	BZ-M16	SS	NO
03800-101T	SS Hatch, 18x24 4 Dog SS/BR HD Pack	SS	SS	5"	PTFE	NONE	SS	BR	SS	BZ	SS	NO
03800-102T	SS Hatch, 18x24 4 Dog SS/BR	SS	SS	5"	NONE	NONE	SS	BR	SS	BS	SS	NO

Definitions

NTRL = NITRILE RUBBER - 03800-701A
PTFE = BRAIDED TFE PACKING - 03800-701B
FLAX = BRAIDED FLAX PACKING - 03800-701C
NONE = NO GASKET PROVIDED
PRIMER = GREY PRIMER FINISH ON ALL SURFACES
PRIMER EXT ONLY = GREY PRIMER FINISH ON EXTERIOR
INTERPZINC 22 = INTERPZINC 22 PRIMER - 01051-902A

Parts List

	Dog Handles	Tumble Bolt	Lug Bolt	Lug Nut	Hinge Pin	Hasp Lock
ST = STEEL OR CAST IRON	01240-302A	NA	01240-801A	03570-805A	03800-204A	03410-205A
BR = BRONZE	01240-302B	01240-201A	NA	NA		
SS = STAINLESS STEEL	01240-302C	01240-201B	01240-801B	02570-802A	03800-204B	
ST/ZRK = CAST STEEL WITH Zerk Dog	01240-312A	NA	NA	NA		
NUT SS = STAINLESS STEEL FLANGE NUTS	56020-012SS	NA	NA	NA		
SS-M16 = STAINLESS STEEL METRIC M-16	NA	NA	01230-804A	NA		
BR-M16 = BRONZE METRIC - M-16	NA	NA	NA	01230-803A		



1074 Kenran Industrial Dr.
 St. Louis, MO 63137
 Phone: 1-800-381-9968

HUMCO DECK FITTINGS

UMC Marine Hatch Product Matrix and Spare Parts List



UMC Marine Hatch Product Matrix and Spare Parts List

UMC-174-5 w/144 ULLAGE - COMBO 15"X23" WITH 8" ULLAGE

P/N	Desc / Quantity	Cover Material	Coaming Material	Coaming Height	Gasket Material	Gasket Spec	Paint	Dog Handles	Tumble Bolt	Lug Bolt	Lug Nut	Hinge Pin	Hasp Lock	Ullage Hatch	Ullage Dog Hndl	Ullage Tumble	Ullage Lug Bolt	Ullage Lug Nut	
01240-105E	Hatch Combo, 15x23 4 Dog w/Ullage	ST	ST	5"	NONE	PRIMER EXT ONLY	SS	4	BR	ST	ST	SS	NO	ST	ST	BR	BR	BR	SS
01240-115E	Hatch Combo, 15x23 4 Dog w/Ullage HD Pack	ST	ST	5"	PTFE	PRIMER EXT ONLY	SS	4	BR	ST	ST	SS	NO	ST	ST	BR	BR	BR	SS

Definitions

PRIMER EXT ONLY = GREY PRIMER FINISH ON EXTERIOR
 PTFE = BRAIDED TEE PACKING FOR 15" X 23" HATCH - 01242-701B
 BRAIDED TEE PACKING FOR 8" ULLAGE - 01241-701B

Parts List

Part	Material	QTY	Part	Material	QTY
ST = STEEL OR CAST IRON	NA	1	BR = BRONZE	NA	1
SS = STAINLESS STEEL	NA	1	SS = STAINLESS STEEL	NA	1

UMC-464-5 w/144 ULLAGE - COMBO 18" X 24" WITH 8" ULLAGE

P/N	Desc / Quantity	Cover Material	Coaming Material	Coaming Height	Gasket Material	Gasket Spec	Paint	Dog Handles	Tumble Bolt	Lug Bolt	Lug Nut	Hinge Pin	Hasp Lock	Ullage Hatch	Ullage Dog Hndl	Ullage Tumble	Ullage Lug Bolt	Ullage Lug Nut	
03800-105A	Hatch Combo, 18x24 4 Dog w/Ullage SS HW Nitr Gas	ST	ST	5"	NITR	PRIMER EXT ONLY	SS	4	BR	ST	ST	SS	NO	ST	ST	SS	SS	SS	SS
03800-105E	Hatch Combo, 18x24 4 Dog w/Ullage Nitr Gas Hasp	ST	ST	5"	NONE	PRIMER EXT ONLY	SS	4	BR	ST	ST	SS	YES	ST	ST	BR	BR	BR	SS
03800-115E	Hatch Combo, 18x24 4 Dog w/Ullage HD Pack Hasp	ST	ST	5"	PTFE	PRIMER EXT ONLY	SS	4	BR	ST	ST	SS	YES	ST	ST	BR	BR	BR	SS
03800-135J	Hatch Combo, 18x24 4 Dog w/Ullage SS HW Zerk Dog Hasp	ST	ST	5"	NONE	PRIMER EXT ONLY	SS	4	BR	ST	ST	SS	YES	ST	ST	BR	BR	BR	SS
03800-135K	Hatch Combo, 18x24 4 Dog w/Ullage Zerk Dog Hasp	ST	ST	5"	NONE	PRIMER EXT ONLY	SS	4	BR	ST	ST	SS	YES	ST	ST	BR	BR	BR	SS
03800-134M	Hatch Combo, 18x24 4 Dog w/Ullage HD Pack Flange Nut	ST	ST	5"	PTFE	PRIMER EXT ONLY	SS	4	BR	ST	ST	SS	YES	ST	ST	BR	BR	BR	SS
03800-134MN	Hatch Combo, 18x24 4 Dog w/Ullage Nitr Gas Flange Nut	ST	ST	5"	NITRILE	PRIMER EXT ONLY	SS	4	BR	ST	ST	SS	YES	ST	ST	BR	BR	BR	SS
03800-135M	Hatch Combo, 18x24 4 Dog w/Ullage Flange Nut	ST	ST	5"	NONE	PRIMER EXT ONLY	SS	4	BR	ST	ST	SS	YES	ST	ST	BR	BR	BR	SS
03800-105S	All Stainless Steel Hatch - Stainless Cover and Coaming	SS	SS	5"	NONE	NONE	SS	4	BR	SS-M16	BZ-M16	SS	NO	SS	SS	BR	SS-M16	BZ-M16	

Definitions

NITR = NITRILE RUBBER GASKET FOR 18" X 24" - 03800-701A
 NITRILE RUBBER GASKET FOR 8" ULLAGE - 01242-701A
 PTFE = BRAIDED TEE PACKING FOR 18" X 24" HATCH - 03800-701B
 BRAIDED TEE PACKING FOR 8" ULLAGE - 01242-701B
 FLAX = BRAIDED FLAX PACKING - 03800-701C

NONE = NO GASKET PROVIDED
 PRIMER = GREY PRIMER FINISH ON ALL SURFACES
 PRIMER EXT ONLY = GREY PRIMER FINISH ON EXTERIOR
 INTERPZINC 22 = INTERPZINC 22 PRIMER - 01051-902A

Parts List

Part	Material	QTY	Part	Material	QTY
ST = STEEL OR CAST IRON	NA	1	BR = BRONZE	NA	1
SS = STAINLESS STEEL	NA	1	SS = STAINLESS STEEL	NA	1



UMC Manholes

15x23 20-Bolt Series Oval - Manholes

UMC's complete line of multi-bolt manholes serves as a great inexpensive option for applications where frequent access is not required. Ideal for tank top covers, fuel and water tank access, inspection access to ship voids, barges, sanitary and digester tanks, clean outs and more. These water-tight manholes feature simple designs and utilize high strength steel.

UMC offers a complete line of manholes with configurations and hardware combinations to meet your requirements. These industry-standard manholes are used on workboats, and equipment worldwide. UMC's simply-designed manholes have served the industrial marine and fishing industries for the past 30 years.

FEATURES:

- High strength carbon steel construction
- Hardware combinations of dissimilar metal prevent galling and corrosion (Not available on all models - see Manhole Matrix for details on page 912)
- High-quality neoprene rubber gaskets ensure water-tight seal (oil resistant Buna-N Optional)
- Neoprene Gasket material is UV resistant to prevent cracking and memory fatigue
- Flush screw-down models offer a smooth-surfaced manhole that prevents catching and snagging
- Speciality features such as 3" NPT fill points and handles available on some models
- Raised coamings available on certain models

For more details about all the manholes available please see the complete feature set matrix on page 910.



Model: 08866-101F - Flush Screw



Model: 08866-101S - Weld Stud



Model: 02590-101A - Weld Stud, Combo B



Model: 08866-101Z - Weld Stud, Combo A



Model: 02570-101A- Raised Combing, Combo B



1074 Kenran Industrial Dr.
St. Louis, MO 63137
Phone: 1-800-381-9968

HUMCO DECK FITTINGS

UMC Manholes

15x23 26 Bolt Series Oval - Manholes

26 bolt manholes are another industry standard model offered by UMC Marine. Typically used for specific application of increased air or water pressure. All of our manholes meet the ABS (American Bureau of Shipping) requirements for design and materials.



Model: 02610-101A - Flush Screw, 26 Bolt

18x24 24 Bolt Series Oval - Manholes

The 18" x 24" manholes feature many of the same configuration and hardware combinations featured on the standard size manhole.



Model: 02600-101A - Weld Bolt, Combo B

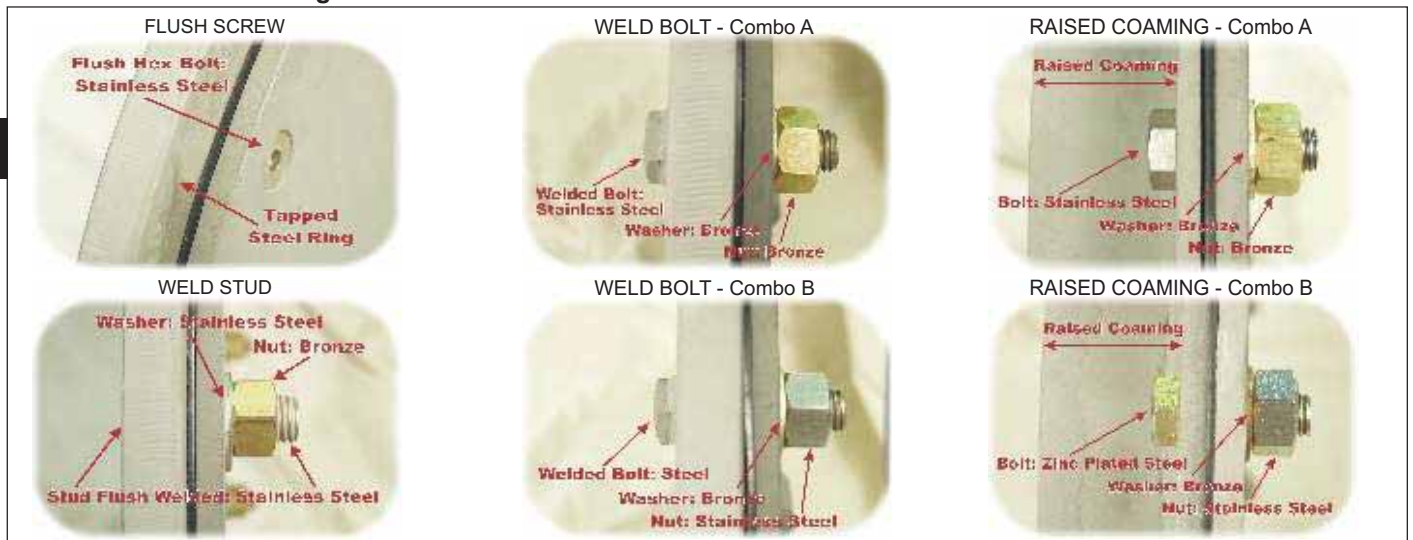
14" & 18" Round Series Round - Clean-Out Hatches

The round manholes are also sometimes referred to as clean-out hatches. These hatches all feature raised coamings available in various heights.



Model: 08451-101A - Raised Coaming, Combo A

Standard Hardware Configurations

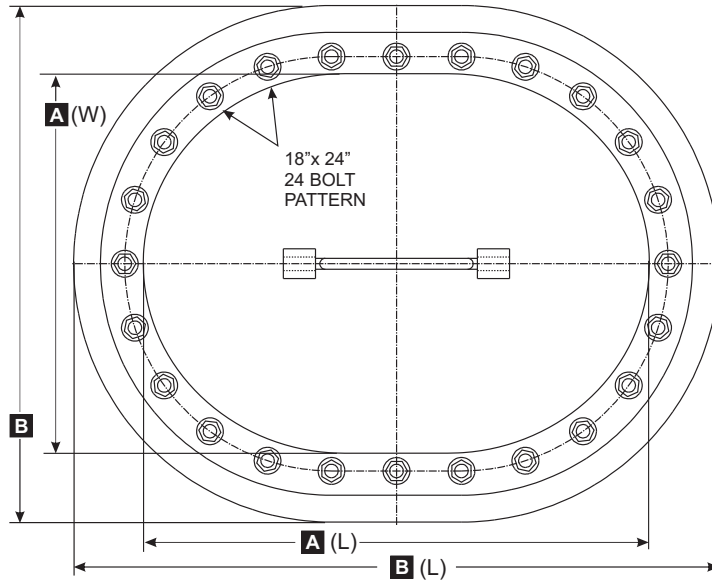
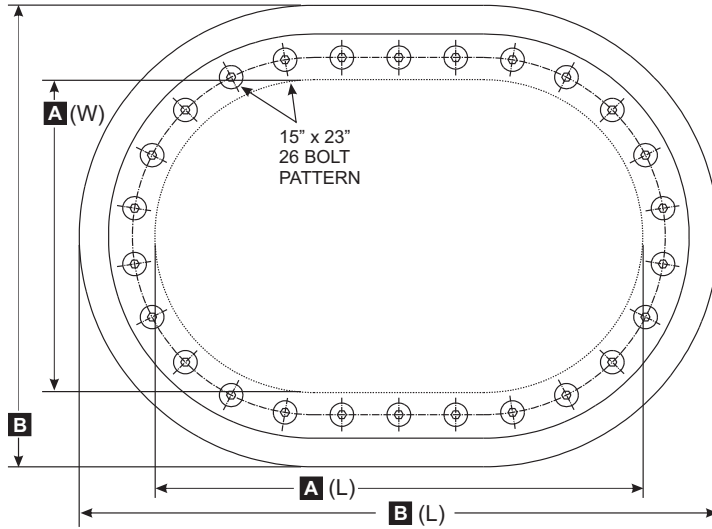
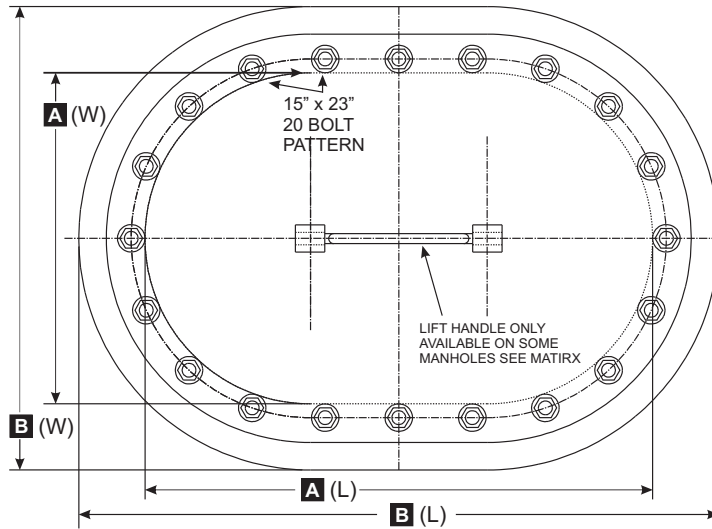




1074 Kenran Industrial Dr.
St. Louis, MO 63137
Phone: 1-800-381-9968

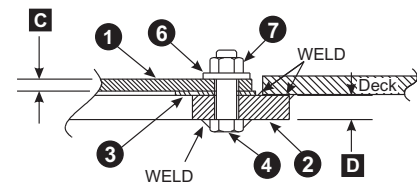
HUMCO DECK FITTINGS

UMC Manholes

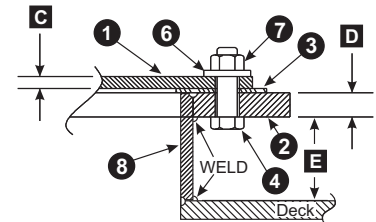


BILL OF MATERIAL: #542-1		
PC.NO.	DESCRIPTION	MATERIAL
1	COVER	STEEL (PRIMED)
2	DECK RING	STEEL (PRIMED)
3	GASKET	BUNA
4	BOLT	SEE MATRIX
5	STUD	SEE MATRIX
6	WASHER	SEE MATRIX
7	NUT	SEE MATRIX
8	COAMING	STEEL (PRIMED)

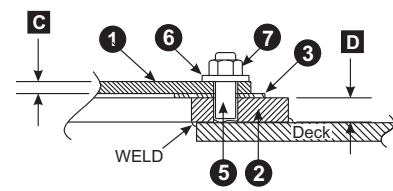
EXAMPLE: WELD BOLT



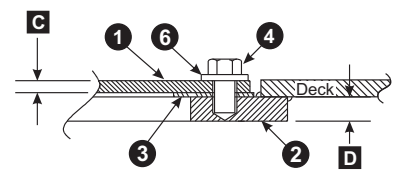
EXAMPLE: NON-WELD



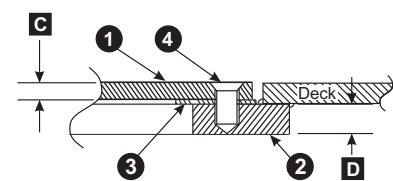
EXAMPLE: STUD WELD



EXAMPLE: TAP RING



EXAMPLE: FLUSH SCREW



UMC MANHOLE COVER
STEEL MULTI-BOLT MANHOLE

DWG. NO. 725



1074 Kenran Industrial Dr.
St. Louis, MO 63137
Phone: 1-800-381-9968

HUMCO DECK FITTINGS

UMC Manholes

Manhole Product Matrix

UMC P/N	DRAWING #	MODEL #	BOLT TYPE	BOLT TYPE	BOLT LGNTH	A(W)	A(L)	B(W)	B(L)	C	D	E	WGHT LBS	BOLT/STUD	NUT	WSHR	GSKT	HNDL Y/N
15" x 23"			20 Bolt Flush															
BMHC15X23BZ	02590-101A	UMC-503	WELD BOLT	5/8-11	2.25	15	23	21	29	.393	.787	N/A	95	ZN	SS	BR	BUNA	Y
BMHC15X23DD	02590-103S		TAP RING	5/8-11	1	15	23	21	29	.393	.787	N/A	95	SS		BR	BUNA	N
BMHC15X23BS	02590-105A	UMC-503	WELD BOLT	5/8-11	2.25	15	23	21	29	.393	.787	N/A	95	SS	BR	BR	BUNA	Y
BMHC15X23D	08866-101D		TAP RING	3/4-10	1.375	15	23	21	29	.393	.787	N/A	102	SS		SS	BUNA	N
BMHC15X23F	08866-101F		FLUSH SCREW	1/2-13	.9375	15	23	21	29	.393	.787	N/A	98	SS			BUNA	N
BMHC15X23S	08866-101S		STUD WELD	3/4-10	2.25	15	23	21	29	.393	.787	N/A	104	SS	BR	SS	BUNA	N
15" x 23" w/ 3" NPT			20 Bolt Flush			3" NPT PLUG												
BMHC15X23Z	08866-101Z	RAISED PLUG	STUD WELD	3/4-10	2.25	15	23	21	29	.393	.787	N/A	125	SS	BR	SS	BUNA	N
BMHC15X23Z	08866-101H	FLUSH PLUG	STUD WELD	3/4-10	2.25	15	23	21	29	.393	.787	N/A	125	SS	BR	SS	BUNA	N
15" x 23"			26 Bolt Flush															
BMHC15X23-26F	02610-101A	UMC-505	FLUSH SCREW	5/8-11	1.25	15	23	22	30	.51	1.125	N/A	160	SS			BUNA	N
BMHC15X23-26D	02590-102SA		TAP RING	5/8-11	1	15	23	21	29	.393	.787	N/A	95	SS		BR	BUNA	N
15" x 23"			20 Bolt Raised															
BMHC15X23X2.5BZ	02570-101A	UMC-501	NON WELD	5/8-11	1.75	15	23	20	28	.393	.375	2.5	85	ZN	SS	BR	BUNA	N
BMHC15X23X4BS	02570-105A		NON WELD	5/8-11	1.75	15	23	20	28	.393	.375	4	95	SS	BR	BR	BUNA	N
18" x 24"			24 Bolt Flush															
BMHC18X24BZ	02600-101A	UMC-504	WELD BOLT	5/8-11	2.25	18	24	24	30	.393	.787	N/A	112	ZN	ZN	BR	BUNA	Y
18" x 24"			24 Bolt Raised															
BMHC18X24X2.5BZ	02580-101A	UMC-502	NON-WELD	5/8-11	1.75	18	24	23	29	.393	.375	2.5	106	ZN	SS	BR	BUNA	N
18" Round			Raised															
BMHC18BR	08450-101A	UMC-154-18	NON WELD	5/8-11	2	18	18	23	23	.393	.393	2.5	78	ZN	BR		BUNA	N
BMHC18SS-FLAX	08450-101B	UMC-154-18	NON WELD	5/8-11	2	18	18	23	23	.393	.393	2.5	78	SS	SS		FLAX	N
BMHC18SS	08450-102B	UMC-154-18	NON WELD	5/8-11	2	18	18	23	23	.393	.393	2.5	78	SS	SS		NONE	N
BMHC18SS-9	08450-121B	UMC-154-18	NON WELD	5/8-11	2	18	18	23	23	.393	.393	9	85	SS	SS		FLAX	N
14" Round			Raised															
BMHC14BR	08451-101A	UMC-154-14	NON WELD	5/8-11	2	14	14	19	19	.393	.393	2.5	55	ZN	BR		BUNA	N
BMHC14BR-FLAX	08451-101B	UMC-154-14	NON WELD	5/8-11	2	14	14	19	19	.393	.393	2.5	55	SS	SS		FLAX	N
BMHC14SS	08451-102B	UMC-154-14	NON WELD	5/8-11	2	14	14	19	19	.393	.393	2.5	55	SS	SS		BUNA	N
BMHC14SS-4.5	08451-112B	UMC-154-14	NON WELD	5/8-11	2	14	14	19	19	.393	.393	4	68	SS	SS		BUNA	N
10" Round			12 Bolt Flush															
BMHC10U	08866-110A		WELD BOLT	5/5-11	2.25	10	10	16	16	.393	.787	N/A	48	SS	BR	SS	BUNA	N