



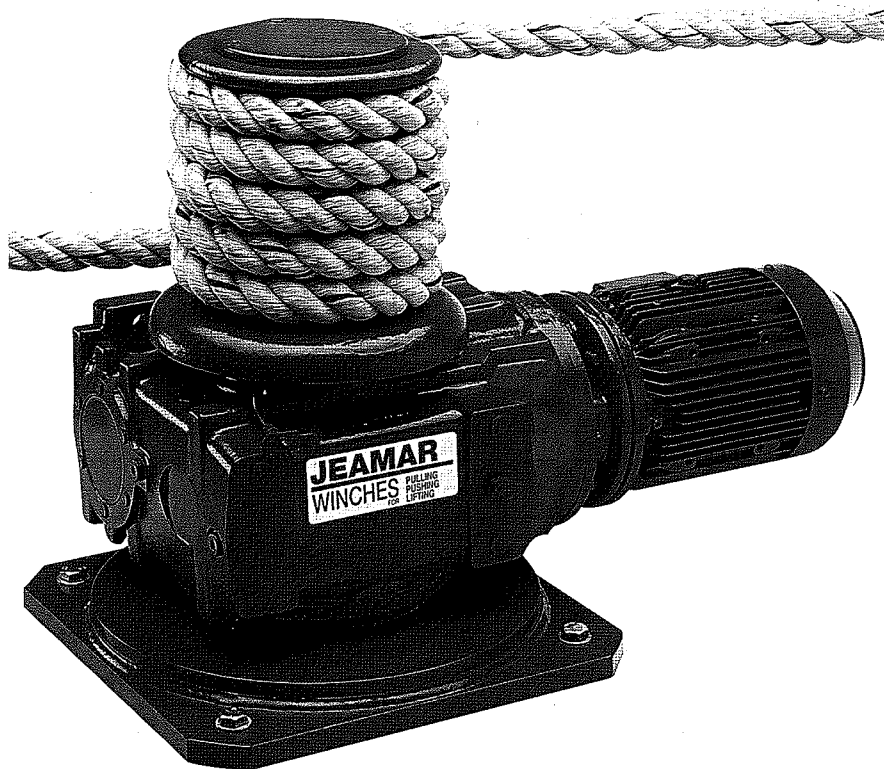
1074 Kenran Industrial Dr.
St. Louis, MO 63137
Phone: 1-800-381-9968

HUMCO DECK FITTINGS

Jeamar Capstan Winches

Jeamar Winches
YOUR FIRST CHOICE FOR WINCHING SOLUTIONS

Capstan Winches



Direct Drive

A direct-drive design increases the efficiency of the capstan winch and eliminates drive chains or bull gears to maximize power output.

Any Angle

The rope can leave the drum at any angle, enabling the operator to stand in the most appropriate, out-of-line-of-sight location. For safety, the load line shall be the bottom wrap on the drum, and the lead line going to the operator will be the top wrap on the drum

Gear Reducers

All Jeamar capstan winches utilize high-efficiency worm, helical, helical-worm or helical-bevel reducers plus high-capacity, anti-friction bearings designed for long life, low noise and higher output torque.

High Starting Loads

High-starting-torque, 3-phase motors are available in all standard voltages at 50 and 60 Hz. These motors are suited to railcar pulling where momentary overloads occur when a railcar is started in motion. Single phase motors at 115/230 volts at 50 or 60 Hz are available as an option on some models.

Load Calculations

For detail on pulling railcars up grades, send for our free railcar pulling brochure.

Controls

Capstans can be supplied with start/stop, foot-operated controls of the "deadman" variety. If the operator's foot moves off the switch, the capstan will stop. This type of control allows the operator to use two hands on the rope, for optimum control.

Hydraulic and Air-Driven Motors

Capstan winches can be supplied with either hydraulic or air motors.

Explosion Proof

Fully explosion-proof motors and controls are available for applications in hostile or volatile environments.

torque limitation

Capstans can be supplied with a variable frequency drive (VFD) package. The VFD controls the amount of current that the motor can draw, limiting the amount of torque that the electric motor can produce.



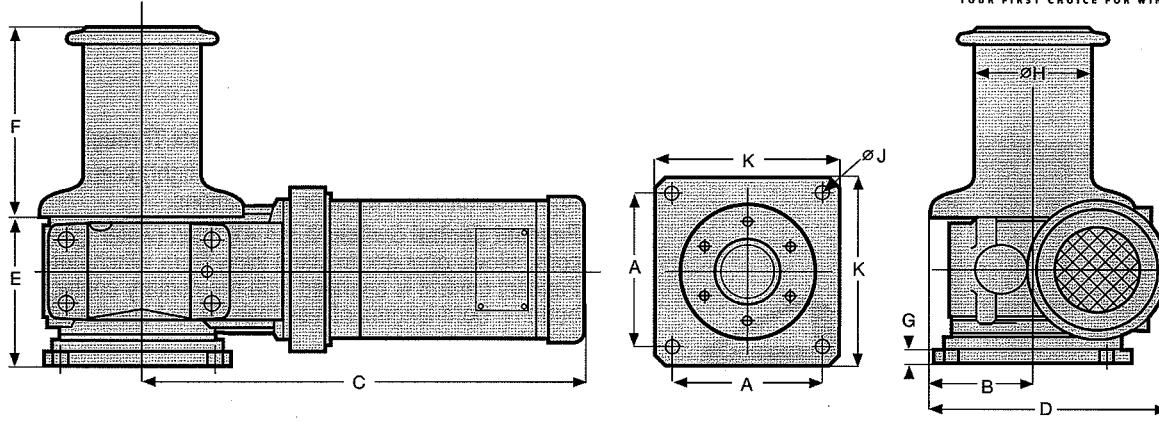
1074 Kenran Industrial Dr.
St. Louis, MO 63137
Phone: 1-800-381-9968

HUMCO DECK FITTINGS

Jeamar Capstan Winches

Capstan Winches

Jeamar Winches
YOUR FIRST CHOICE FOR WINCHING SOLUTIONS



Model Number		VC 2000-26	VC 5000-30	VC 5000-45	VC 8000-13	VC 8000-30	VC 12000-17	VC 15000-13	VC 18000-17	VC 22000-17	
Working Load Limit Starting	lb	2000	5000	5000	8000	8000	12000	15000	18000	22000	
	kg	907	2268	2268	3628	3628	5442	6803	8163	9977	
Working Load Limit Running	lb	1000	2500	2500	4000	4000	6000	7500	9000	11000	
	kg	454	1134	1134	1814	1814	2721	3401	4082	4989	
Rope Speed	ft/min	26	30	45	13	30	17	13	17	17	
	m/min	8	9	14	4	9	5	4	5	5	
Rope Diameter* (Polypropylene)	in	5/8	1-1/8	1-1/8	1-1/2	1-1/2	1-3/4	2	-	-	
	mm	16	29	29	38	38	44	50	-	-	
Rope Diameter* (Spect-Set)	in	5/8	5/8	5/8	3/4	3/4	7/8	1	1-1/4	1-1/4	
	mm	16	16	16	20	20	22	25	32	32	
Motor	Hp	1.5	3	5	3	5	5	5	7.5	7.5	
	kW	1.1	2.3	3.8	2.3	3.8	3.8	3.8	5.7	5.7	
Weight	lb	202	330	355	452	474	660	1124	1162	1379	
	kg	92	150	161	205	215	299	510	527	625	
DIMENSIONS	A	in	9.00	9.00	9.00	14.50	14.50	14.50	17.00	17.00	17.00
		mm	229	229	229	368	368	368	432	432	432
	B	in	5.58	6.00	6.00	8.75	8.75	8.75	10.50	10.50	12.40
		mm	142	152	152	222	222	222	267	267	315
	C	in	14.66	26.39	26.39	27.62	27.62	30.00	32.00	32.66	51.66
		mm	372	670	670	702	702	762	813	830	1312
	D	in	11.83	14.00	14.00	18.00	18.00	19.77	23.69	23.69	22.90
		mm	300	356	356	457	457	502	602	602	582
	E	in	8.95	10.05	10.05	11.81	11.81	13.75	16.09	16.09	11.88
		mm	227	255	255	300	300	349	409	409	302
	F	in	5.25	11.50	11.50	11.50	11.50	11.50	11.50	11.50	11.50
		mm	133	292	292	292	292	292	292	292	292
	G	in	0.75	0.75	0.75	1.00	1.00	1.00	1.25	1.25	1.25
		mm	19	19	19	25	25	25	32	32	32
	H	in	4.00	7.00	7.00	7.00	7.00	9.00	11.00	11.00	11.00
		mm	102	178	178	178	178	229	279	279	279
	J	in	0.81	0.81	0.81	1.06	1.06	1.06	1.31	1.31	1.31
		mm	21	21	21	27	27	27	33	33	33
K	in	11.00	11.00	11.00	17.50	17.50	17.50	21.00	21.00	21.00	
	mm	279	279	279	445	445	445	533	533	533	