



1074 Kenran Industrial Dr.
 St. Louis, MO 63137
 Phone: 1-800-381-9968

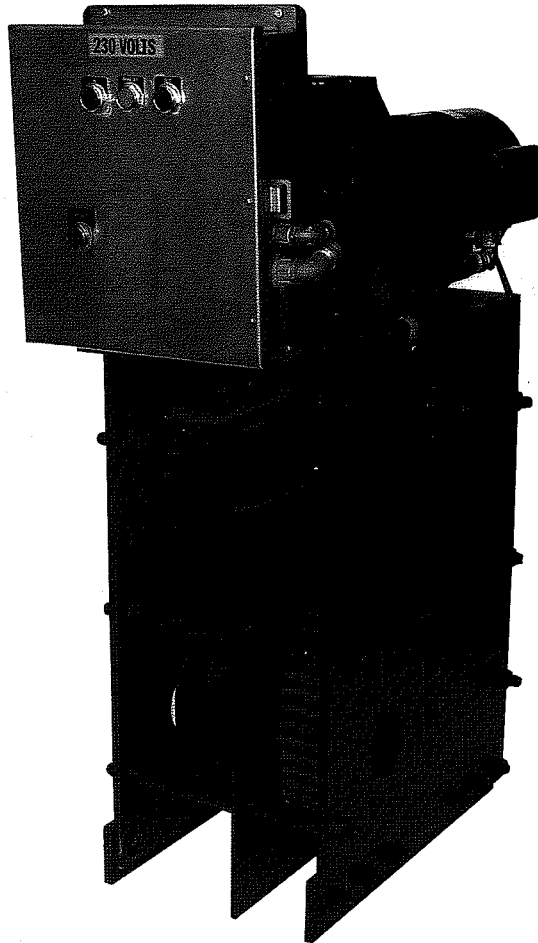
HUMCO DECK FITTINGS

Nabrico 30 Ton Electric Winch



30 Ton Electric Winch

Shown with optional reversing motor starter and push button controls



The NABRICO 30 ton Electric Winch is designed to cover minimum deck. Optional reversing motor starter and remote controls are available.

MODEL DF-500	DRUM FLANGE DIAM.	DRUM		DRUM CAPACITIES*					MOTOR	WT.	MOUNTING DIMENSIONS		
		DIAM.	WIDTH	CABLE SIZE							A	B	C
	IN.	IN.	IN.	1/2	5/8	3/4	7/8	1	HP	LBS.			
40-11-14	19"	12.75"	11.25"		260	180	130	100	5	1,900	1' 9"	3' 9"	3' 5 1/4"
30-7-15	16"	10.75"	7.25"	186	109	57	39		5	1,600	1' 3 3/8"	2' 1 1/2"	4' 4 1/4"

*These capacities are based on uniform cable winding. The amount of tension applied when spooling the cable will also affect the length.

The specifications and details described by drawings or text in this literature are subject to change without notice. Winches portrayed in drawings, photographs and copy are not designed for lifting or lowering persons or equipment.

Always read, understand and follow NABRICO'S published installation, operation and maintenance manuals.

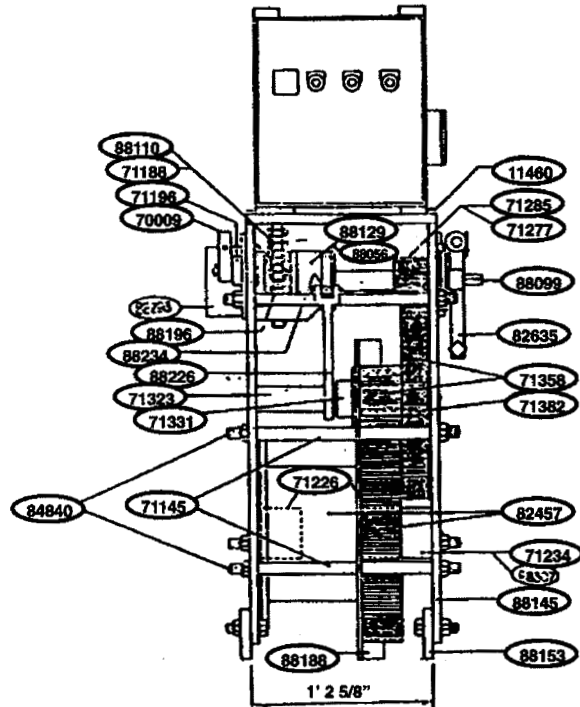
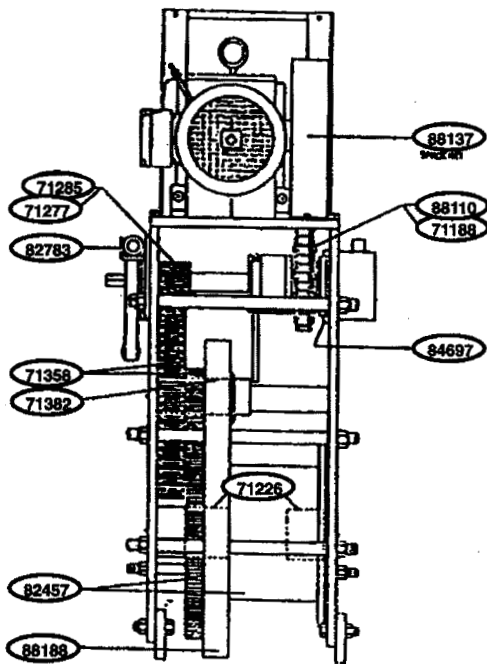
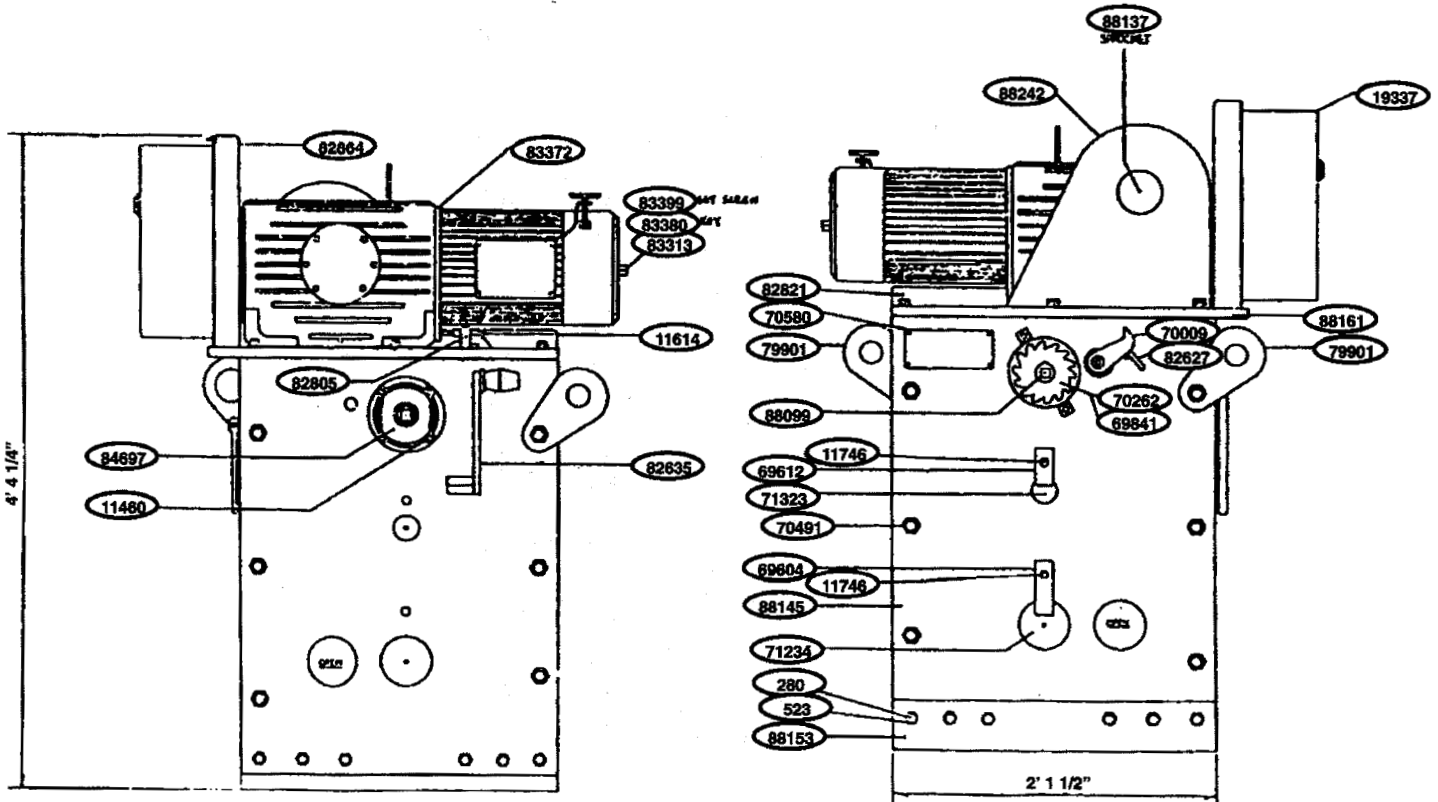


1074 Kenran Industrial Dr.
St. Louis, MO 63137
Phone: 1-800-381-9968

HUMCO DECK FITTINGS

Nabrico 30 Ton Electric Winch

30 Ton Electric Winch





1074 Kenran Industrial Dr.
St. Louis, MO 63137
Phone: 1-800-381-9968

HUMCO DECK FITTINGS

Nabrico 30 Ton Electric Winch Parts List



30 Ton Electric Winch Parts List

PART	QTY	DESCRIPTION
280	12	3/4" x 2 1/2" Lg. Hex Head Bolt
523	12	3/4" Hex Nut
11460	14	3/8" x 1 3/4" Lg. Hex Head Bolt
11614	2	1/2" x 2 1/4" Lg. Hex Head Bolt
11746	2	5/8" x 1" Lg. Hex Head Machine Bolt
19887	1	Control Cabinet
21644	1	Control Box Support (Right Hand)
69604	1	Keeper Plate
69612	1	Keeper Plate
69841	1	Keystock 3/8" x 1 3/16"
70009	1	Locking Pawl
70262	1	Locking Gear
70491	12	7/8" Hex Nut
70580	1	Name Plate
71145	6	Pipe Separator
71188	1	Top Shaft Sprocket Bushing
71196	1	Locking Pawl Spacer
71226	2	Drum Bearing
71234	1	Drum Gear Shaft
71277	1	Keystock 3/8" x 2 1/2"
71285	1	Drive Pinion
71323	1	Intermediate Shaft
71331	1	Intermediate Shaft Collar
71358	1	Drive Gear and Pinion Assembly
71882	1	Drum Gear Pinion Bearing
79901	2	Lifting Lug
82457	1	Drum Assembly
82481	1	Drum Shaft Spacer
82627	1	Locking Pawl Pull Pen
82635	1	Hand Crank Assembly
83046	1	Eurodrive Brake, Electric Motor
82783	1	Handcrank Rack
82805	1	Alignment Lugs
82821	1	Motor Guard
82864	1	Control Box Supports (Left Hand)
82880	1	Drive Shaft Guard Assembly

PART	QTY	DESCRIPTION
84697	2	Sealmaster Bearing SFC-25
84840	6	Pipe Separator Rod
88056	1	Keystock 3/8" x 3 1/2"
88099	1	Drive Shaft Assembly
88110	1	Browning 100B 17 Tooth Sprocket
88129	1	Jaw Clutch Hub
88137	1	Browning 100B 20 Tooth Sprocket
88145	2	Side Plate
88153	2	Side Plate Base Bar
88161	1	Brake Gear Motor Base Plate
88188	1	Cable Guard Plate
88196	42	Pitches 100 Roller Chain
88226	1	jaw Clutch Handle
88234	1	Jaw Clutch Yoke
88242	1	Chain Guard

PARTS NOT SHOWN

PART	QTY	DESCRIPTION
1066	4	1/4" x 3/4" Lg. Hex Head Screws
1198	2	#10 x 3/4" Lg. Sheet Metal Screws
19976	1	N. C. Contact Block (Brake Set)
19884	1	Red Operator (Brake Set)
19992	2	Black Operator (In & Out)
20028	1	Size 1 Full Voltage Reversing Starter
20036	3	Overload Heater Coil
20044	1	Name Plate Marked IN
20052	1	Name Plate Marked OUT
20060	1	Name Plate Marked BRAKE SET
20745	2	N. O. Contact Block (In & Out)
74187	1	3/4" No. ST-2 Control Box
79898	1	1/2" x 1" Lg. Screw Cup Pt.
82570	1	1" U-Bolt w/ 3/4" Hex Nut
82791	1	Electric Motor End Bell Cover Plate
83119	1	Remote Control Assembly (Optional)
85812	1	Reset Button Ext. Cover Operator
	1	3/4" Sealtight 90° Connector (Electric Motor)
	1	3/4" Sealtight 90° Connector (Control Box)

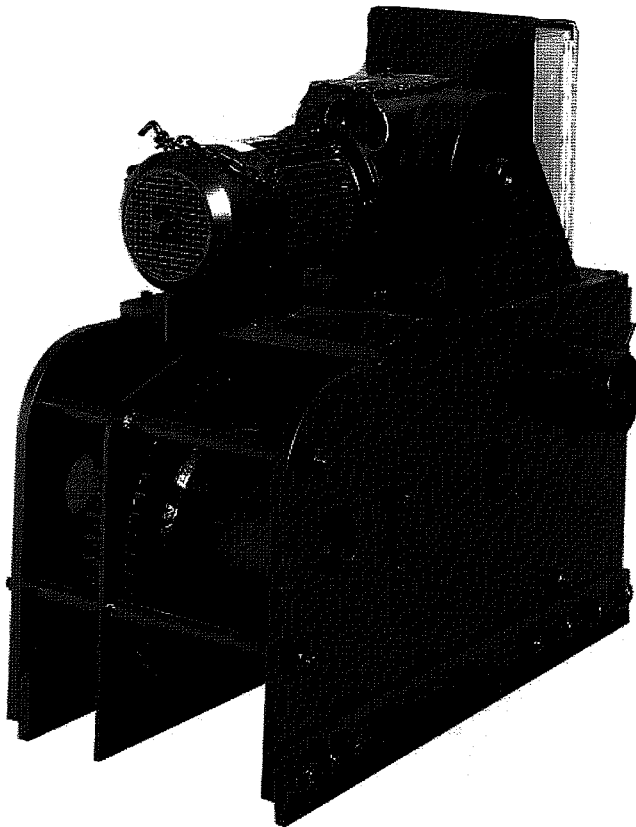


1074 Kenran Industrial Dr.
St. Louis, MO 63137
Phone: 1-800-381-9968

HUMCO DECK FITTINGS

Nabrico 40 Ton Electric Winch

Nabrico 40 Ton Electric Winch



FEATURES

- Proven holding capacity certified by Independent Testing Laboratory
- Bear bearings on high speed shaft and large brass bushings with grease fittings on all other shafts for long life and dependable service
- Oversized sprockets for extended life
- Precision machined side plates, gears and shafts to maintain proper gear tooth engagements and minimize wear
- Improved cable attachment and solid drum gear
- Totally enclosed 5 HP crane and hoist electric motor with high efficiency gear box attached
- Free-wheeling feature to allow fast cable pull out
- Provisions for emergency manual operation from three locations, one location utilizes the entire winch gear reduction
- Mechanical locking dog for emergency use in case of motor brake failure
- Electric brake can be manually operated in case of motor or power failure
- Cable guard prevents cable damage from gears
- Quiet operation
- Minimal maintenance
- Unit mounted and remote controls are available as options

The NABRICO Electric Winch, with a proven 40 ton holding capacity, is powered by a 5 horsepower NEMA design "D", crane and hoist motor. It is attached to a heavy duty "fail safe" electric brake. Optional reversing motor starter and remote controls are available.

MODEL DF-500	MOUNT	(DOG) HOLDING BRAKE	LINE PULL @ 1st Layer Cable Handwheel				LINE SPEED @ 1st Layer Cable No Load
			40 TON - 429:1 RATIO, 30 TON - 343:1 RATIO				
			@RATED AMPS	@MOTOR STALL	@HAND CRANK/MOTOR SHAFT	@HAND CRANK/TOP SHAFT	
S.TONS	LB.	LB.	LB.	LB.	FPM		
40-11-14	UNIVERSAL	40	14,000	24,000	15,000	2,500	15.3
30-7-15	UNIVERSAL	30	13,000	24,000	22,000	4,000	16.0

CERTIFIED ELECTRIC WINCH SPECIFICATIONS

Humco does not offer any warranty on NABRICO Products.

The standard warranty offer by NABRICO is the only warranty extended to the purchaser of NABRICO Products.



1074 Kenran Industrial Dr.
St. Louis, MO 63137
Phone: 1-800-381-9968

HUMCO DECK FITTINGS

Nabrico 40 Ton Electric Winch Parts List

40 Ton Electric Winch Parts List



PART	QTY	DESCRIPTION	PART	QTY	DESCRIPTION
280	14	3/4" x 2 1/2" Lg. Hex Head Machine Bolt (Base Bars)	82635	1	Hand Crank Assembly
329	6	1/2" x 1 3/4" Lg. Hex Head Machine Bolt (Top Plate)	82643	2	Side Plate
523	18	3/4" Hex Nut (Base Bars & Brake Motor)	82678	1	Brake - Gear Motor Base Plate
558	2	1/2" Hex Nut (Jacking Bolt Locknut)	82686	1	Cable Guard Plate
582	6	1/4" Hex Nut (Chain Guard & Control Box)	82694	1	Drive Shaft Assembly
620	4	3/4" Flat Washer (Brake - Gear Motor)	82708	1	Chain Guard Assembly
728	4	3/4" Lock Washer (Brake - Gear Motor)	82724	1	Gear Motor Shaft Sprocket
760	2	5/16" Lock Washer (Drive Shaft Guard)	82732	1	Drive Shaft Sprocket Assembly
779	6	1/4" Lock Washer (Chain Guard & Control Box)	82740	1	Jaw Clutch Hub
922	2	5/16" x 3/4" Lg. Hex Head Cap Screw (Drive Shaft Guard)	82775	1	Jaw Clutch Handle Stop
1023	2	1/4" x 1 1/4" Lg. Hex Head Cap Screw (Chain Guard)	82783	1	Hand Crank Rack
9865	3	1/8" Grease Fitting (Drum Shaft & Intermediate Shaft)	82805	2	Gear Motor Alignment Lug
11592	2	1/2" x 2" Lg. Hex Head Machine Bolt (Ball Bearings)	82821	1	Motor Guard
11746	2	5/8" x 1" Lg. Hex Head Machine Bolt (Keeper Plate)	82856	1	Key (Yoke)
11878	4	3/4" x 3/4" Lg. Hex Head Machine Bolt (Brake - Gear Motor)	82864	2	Control Box Support
20184	2	1/2" x 2 1/4" Lg. Hex Head Cap Screw (Jacking Bolt)	82872	42	Pitches of 120 Roller Chain
21644	1	Control Box Support (Right Hand)	83003	1	Brake Handle Assembly
69582	4	Pipe Separator	83011	1	Clutch Assembly
69604	1	Keeper Plate (Drum Shaft)	83046	1	Eurodrive Brake - Gear Motor Unit
69612	1	Keeper Plate (Intermediate Shaft)	84336	4	Pipe Separator Rod
69728	1	Locking Pawl Spacer	84662	2	Ball Bearing
69795	1	Drum Gear Shaft	84700	1	Drive Shaft Spacer (Locking Gear)
69809	1	Pipe Spacer (Drum)	85073	1	Drive Shaft Pinion Spacer
69817	1	Washer (Drum)	88293	1	Drive Shaft Guard Assembly
69868	1	Key (Locking Gear)			
69876	1	Key (Drive Pinion)			
69884	1	Drive Pinion			
69922	1	Intermediate Shaft			
69930	1	Intermediate Shaft Collar			
69949	1	Drive Gear & Pinion Assembly			
69973	1	Drive Gear Pinion Bearing (Included w/69949)			
69981	1	Locking Gear			
70009	1	Locking Pawl			
70475	1	5/8" Flat Washer (Locking Pawl)			
70483	1	1/8" x 1" Lg. Cotter Pin (Locking Pawl)			
70491	8	7/8" Hex Nut (Pipe Separator Rods)			
70505	2	1/4" Grease Fitting (Jaw Clutch Hub & Sprocket)			
70548	14	1/2" Lock Washer (Brake - GM, BP & Ball Bearing)			
70572	4	#6 x 5/16" Lg. Drive Screw (Name Plate)			
70580	1	NABRICO Name Plate			
70599	1	5/8" x 5/8" Lg. Set Screw (Intermediate Shaft Collar)			
73598	1	Control Box w/o Hoies			
79774	1	Locking Pawl Pin			
79901	2	Lifting Lugs			
82503	1	Drum Assembly			
82511	1	Drum Bearing (Included w/82503)			
82600	1	Side Plate Base Bar (Straight)			
82619	1	Side Plate Base Bar (Radius Cut Out)			
82627	1	Locking Pawl Pull Pin			

PARTS NOT SHOWN		
PART	QTY	DESCRIPTION
1066	4	1/4" x 3/4" Lg. Hex Head Screws
1198	2	#10 x 3/4" Lg. Sheet Metal Screws
19976	1	N. C. Contact Block (Brake Set)
19884	1	Red Operator (Brake Set)
19992	2	Black Operator (In & Out)
20028	1	Size 1 Full Voltage Reversing Starter
20036	3	Overload Heater Coil
20044	1	Name Plate Marked IN
20052	1	Name Plate Marked OUT
20060	1	Name Plate Marked BRAKE SET
20745	2	N. O. Contact Block (In & Out)
74187	1	3/4" No. ST-2 Control Box
79898	1	1/2" x 1" Lg. Screw Cup Pt.
82570	1	1" U-Bolt w/ 3/4" Hex Nut
82791	1	Electric Motor End Bell Cover Plate
83119	1	Remote Control Assembly (Optional)
85812	1	Reset Button Ext. Cover Operator
	1	3/4" Sealtight 90° Connector (Electric Motor)
	1	3/4" Sealtight 90° Connector (Control Box)



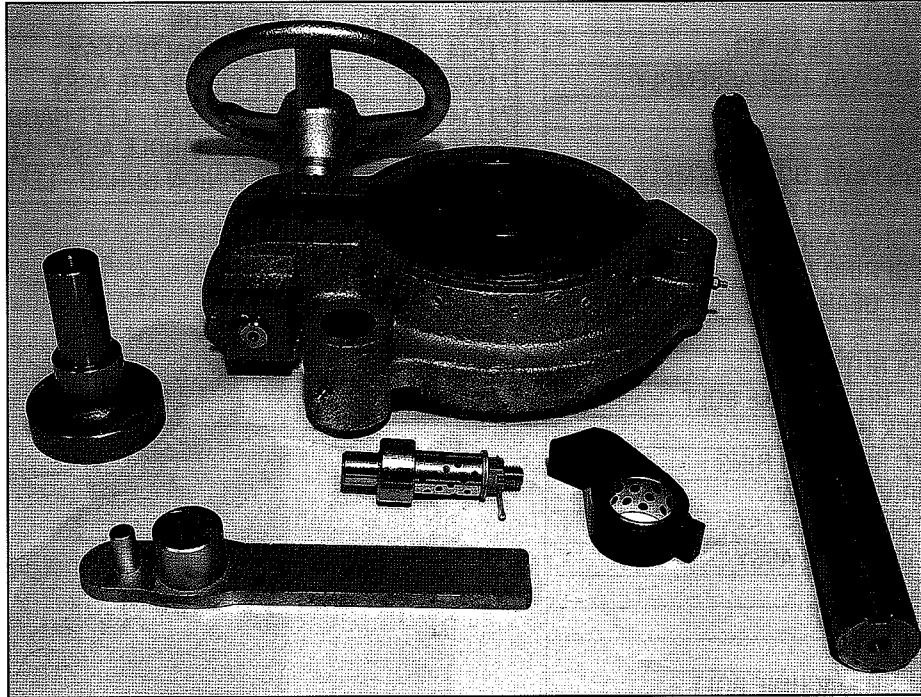
1074 Kenran Industrial Dr.
St. Louis, MO 63137
Phone: 1-800-381-9968

HUMCO DECK FITTINGS

Nabrigo Brake Assembly



Brake Assembly 22021 RetroFit Kit



PART NUMBER	DESCRIPTION	WT.
22012	40 TON MANUAL HANDBRAKE RETROFIT KIT	126
22013	BRAKE PAD AND RIVET KIT	10
22015	HANDWHEEL FOR 22012 BRAKE	15
93831	BRAKE CLAMPING SCREW W/HAND	12
94005	BRAKE SPRING SB	3
93998	1-3/8" OD X 9/16" ID SS WASHER	1
93866	2" SQUARE BRASS NUT	3
93718	1/2" X 4-7/8" KEY	1
93920	BRAKE AND PAD ASSEMBLY	35
94048	WASHER FOR BRAKE POST	1
94013	BRAKE POST ASSEMBLY	15
93912	BRAKE DRUM MANUAL WINCH SS CLAD	25
69906	2-1/2" X 9/16" X 5/16" WASHER	0.5
70521	1/2" -13 UNC X 1" HHMB S.S.	0.5
70548	1/2" LOCKWASHER	0.25

THE SPECIFICATIONS AND DETAILS DESCRIBED BY DRAWINGS OR TEXT IN THIS LITERATURE ARE SUBJECT TO CHANGE WITHOUT NOTICE.

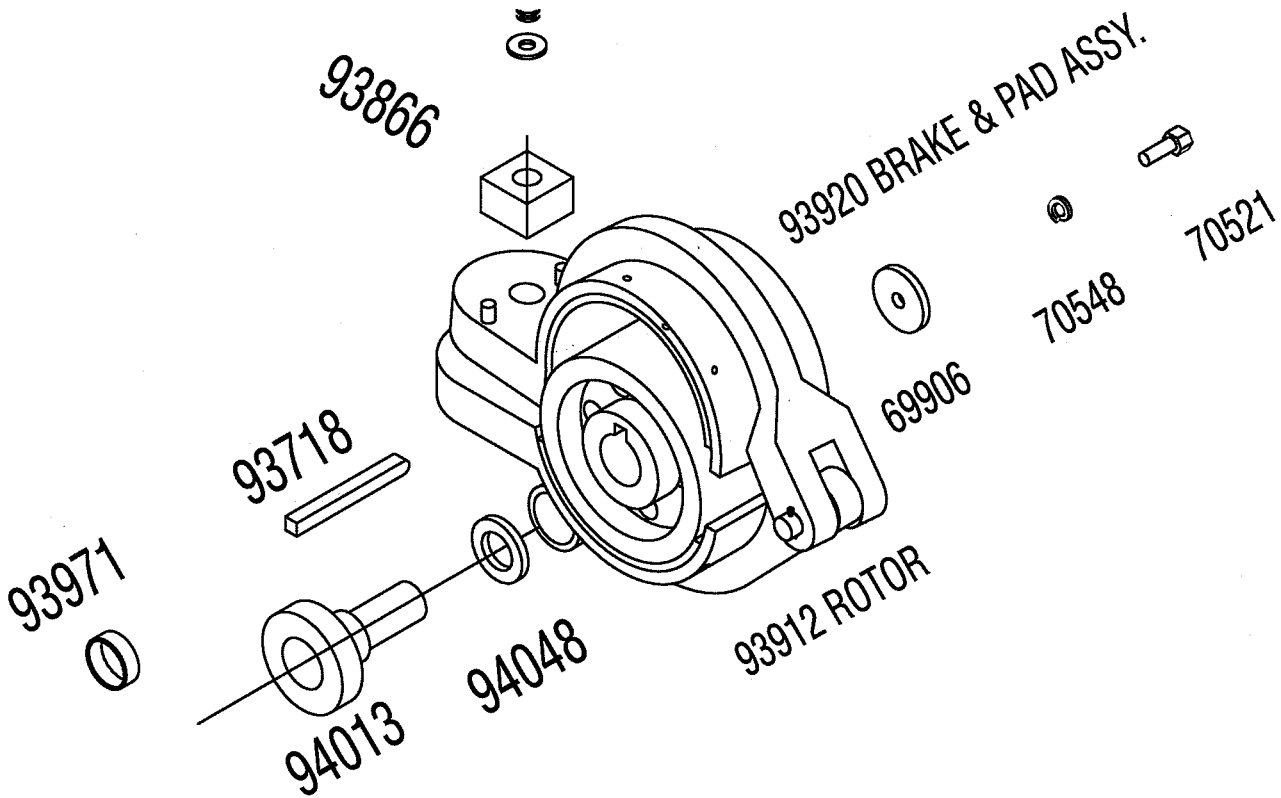
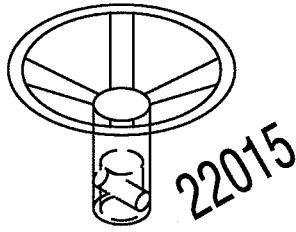


1074 Kenran Industrial Dr.
St. Louis, MO 63137
Phone: 1-800-381-9968

HUMCO DECK FITTINGS

Nabrigo Brake Assembly

Brake Assembly 22021 RetroFit Kit



THE SPECIFICATIONS AND DETAILS DESCRIBED BY DRAWINGS OR TEXT IN THIS LITERATURE ARE SUBJECT TO CHANGE WITHOUT NOTICE.