



1074 Kenran Industrial Dr.  
 St. Louis, MO 63137  
 Phone: 1-800-381-9968

# HUMCO DECK FITTINGS

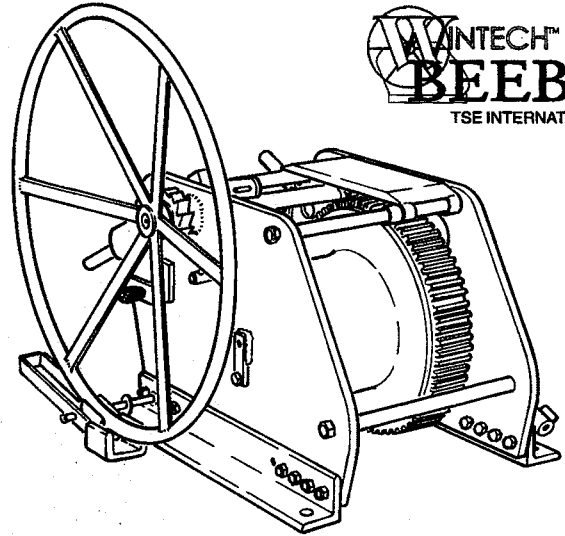
## Wintech Beebe Lo Pro™ Series Barge Winch Models

Humco Offers Parts For Beebe Brothers, Inc.

### “Lo Pro™” Series Barge Winch Models

<b>LEFT HAND</b>	<b>RIGHT HAND</b>
<b>25HL</b>	<b>25HR</b>
<b>50HL</b>	<b>50HR</b>
<b>75HL</b>	<b>75HR</b>

Please Specify Winch Model Number When Ordering



Model Code Ex planation:

Example: 50HL-41-16B

50H L - 41 - 16 B

Series/Capacity:

- 25H = 25 US Tons
- 50H = 50 US Tons
- 75H = 75 US Tons

Configuration: (handwheel to wire rope take-off)

- R = Right hand.
- L = Left hand.

Drum Lengths Available:

- 25H = 9 inches
- = 17 inches
- = 35 inches
- = 52 inches
- = 69 inches
- 50H = 11 inches
- = 20 inches
- = 41 inches
- = 61 inches
- = 82 inches
- 75H = 10 inches
- = 20 inches
- = 40 inches
- = 61 inches
- = 81 inches

Wire Rope Size (number equals rope diameter in sixteenths of an inch):

- 10 = 10/16 inch = 5/8 inch
- 12 = 12/16 inch = 3/4 inch
- 14 = 14/16 inch = 7/8 inch
- 16 = 16/16 inch = 1 inch
- 18 = 18/16 inch = 1-1/8 inch
- 20 = 20/16 inch = 1-1/4 inch
- 22 = 22/16 inch = 1-3/8 inch
- 24 = 24/16 inch = 1-1/2 inch

Options:

- B = Angled deck bracket.
- C = Overload clutch with handwheel.
- D = Drum divider with second wire rope anchor.
- G = Grooved drum.
- P = Special paint: Marine 812 top coat.
- Z = Sand blasted/carbozinc plating.



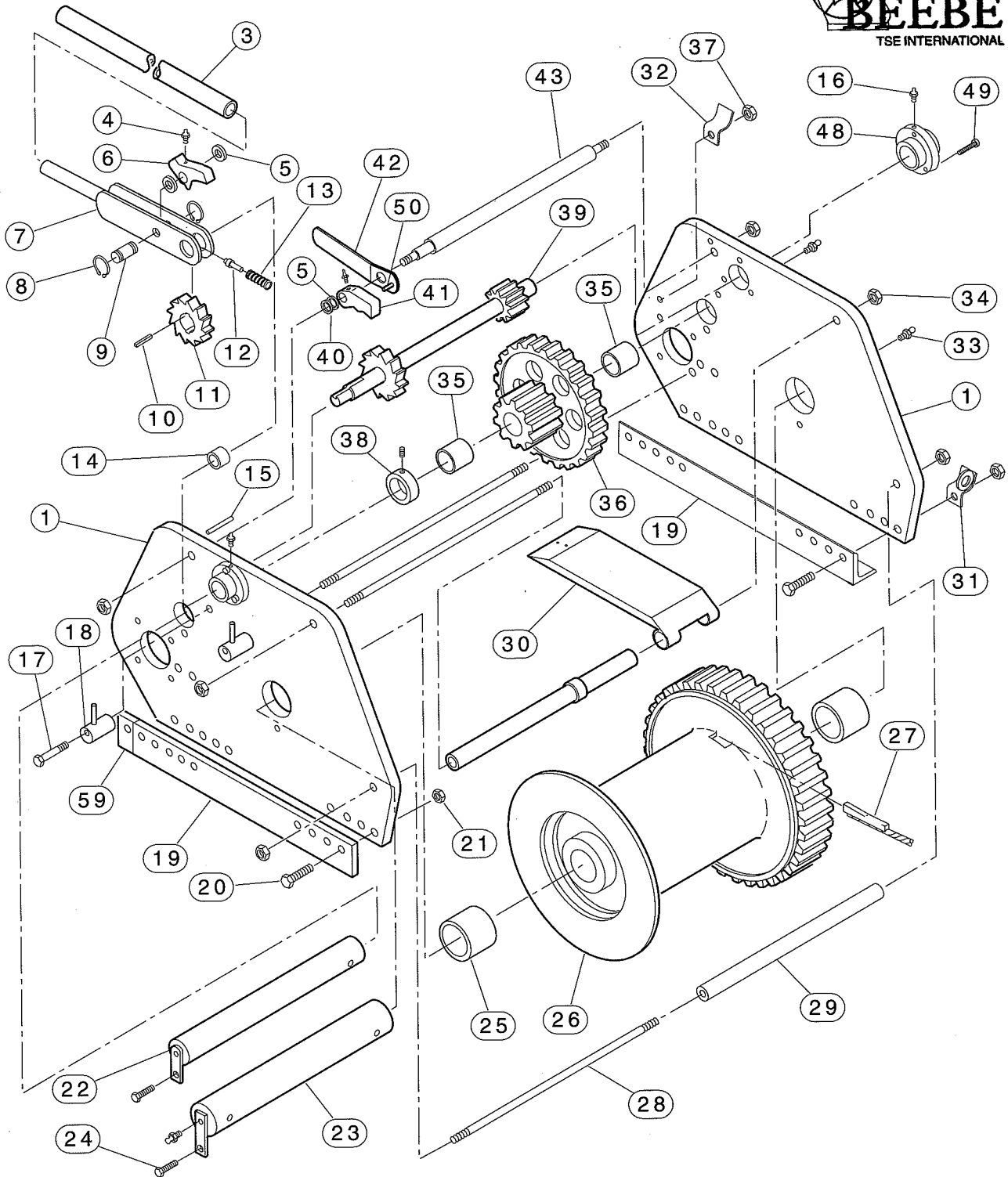
1074 Kenran Industrial Dr.  
St. Louis, MO 63137  
Phone: 1-800-381-9968

# HUMCO DECK FITTINGS

## Wintech Beebe 25H, 50H & 75H Barge Winch Assembly Drawing

### 25H, 50H and 75H Barge Winch Assembly Drawing

(After July 15, 1993)





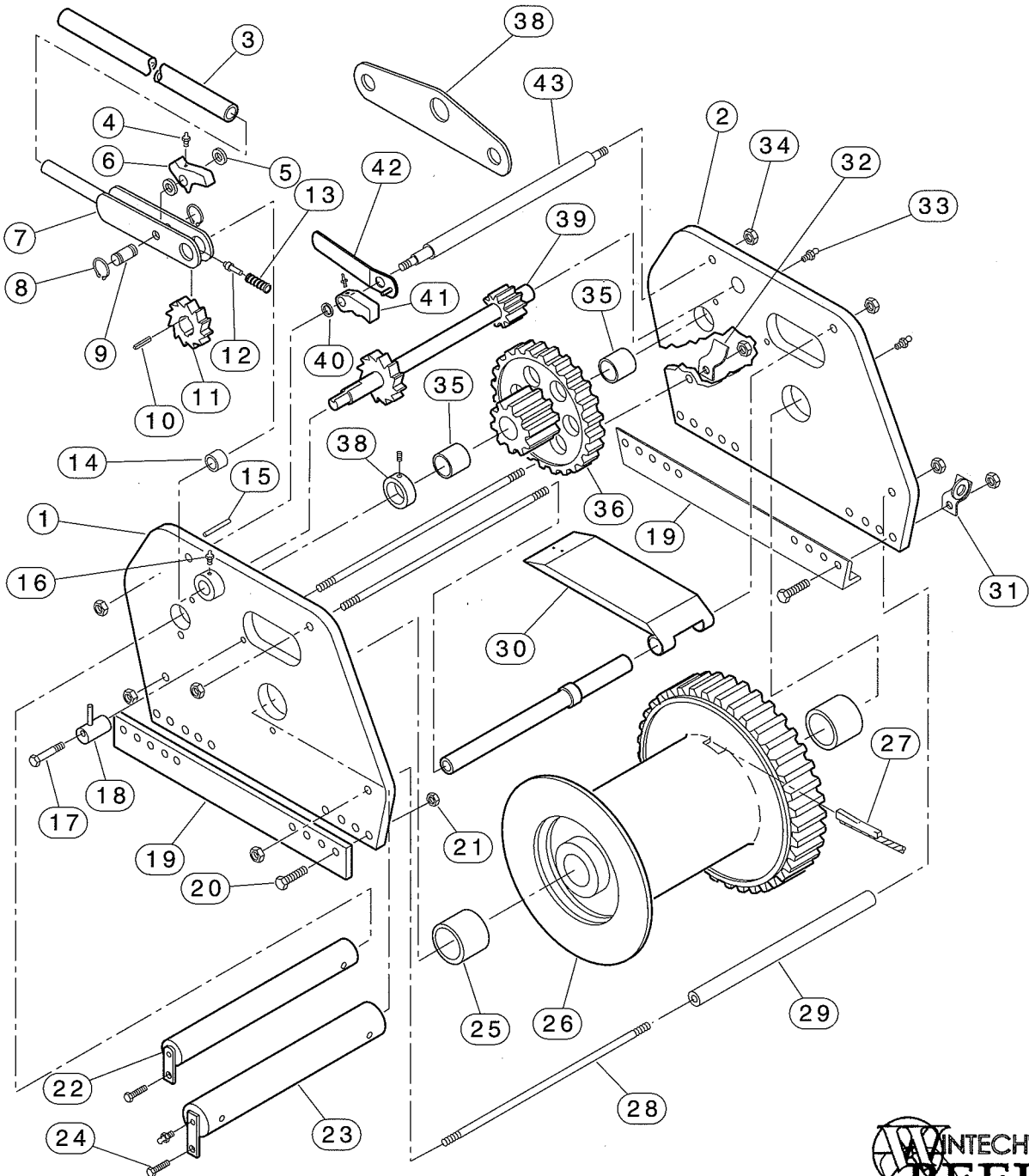
1074 Kenran Industrial Dr.  
St. Louis, MO 63137  
Phone: 1-800-381-9968

# HUMCO DECK FITTINGS

## Wintech Beebe 25H, 50H & 75H Barge Winch Assembly Drawing

### 25H, 50H and 75H Barge Winch Assembly Drawing

(Before July 15, 1993)



11





1074 Kenran Industrial Dr.  
St. Louis, MO 63137  
Phone: 1-800-381-9968

# HUMCO DECK FITTINGS

## Wintech Beebe 25H Barge Winch Assembly Parts List



## 25H Barge Winch Assembly Parts List

Common Parts			
ITEM NO.	DESCRIPTION	TOTAL QTY	PART NO.
1	Right Side Frame (before 15 July 1993)*	1	22948
	Side Frame		
2	Left Side Frame (before 15 July 1993)*	1	22948
	Side Frame		
3	Ratchet Lever Extension	1	7900-35
4	Grease Fitting, Dog	2	52676
5	Washer	3	9779
6	Ratchet Dog	1	7907
7	Ratchet Lever	1	7966
8	Retaining Ring	2	50810
9	Shaft	1	7914
10	Key, Ratchet Wheel	2	19465-125
11	Ratchet Wheel	1	7965
12	Spring Guide	1	7911
13	Spring	1	50807
14	Bushing	2	1293-6
15	Pin	1	50823
16	Grease Fitting, Bushing	2	53497
17	Cap Screw	2	50884
18	Ratchet Stop	2	7917
19	Deck Bracket, Straight	2	589
	Deck Bracket, Angled		513
20	Cap Screw, Deck Bracket	17	50902
21	Nut	18	50880

Common Parts			
ITEM NO.	DESCRIPTION	TOTAL QTY	PART NO.
24	Cap Screw	2	50160
25	Bushing, Drum	2	1293-1
27	Anchor Wedge 5/8"	1	530
	Anchor Wedge 3/4"		529
	Anchor Wedge 7/8"		528
	Anchor Wedge 1"		527
30	Gear Cover	1	7963
31	Lower Bracket, Left	1	7967-L
	Lower Bracket, Right		7967-R
32	Upper Bracket	1	7967
33	Grease Fitting	3	53095
34	Nut, Shaft	8	50825
35	Cluster Gear Bushing	1	1293-2
36	Cluster Gear	1	9104
38	Shaft Collar (Old Style)	1	**
	Set Collar		4046-6
40	Washer	1	9779-1
41	Holding Dog	1	7968
42	Holding Dog Lever	1	7969
44	Washer, Holding Dog	1	18492
45	Cap Screw	1	50824
46	Warning Tag***	1	71087035
47	Model Label***	1	71108831
48	Bearing Boss	2	22943
49	Cap Screw	6	51766
50	Pin (Holding Dog Stop)	1	****
59	Deck Bracket Extension	1	8104

### Parts by Drum Size (inches)

ITEM NO.	DESCRIPTION	TOTAL QTY	PART NO.				
			9"	17"	35"	52"	69"
22	Intermediate Shaft	1	511-1	511-2	511-4	511-5	511-6
23	Drum Shaft	1	512-1	512-2	512-4	512-5	512-6
26	Drum	1	7902-A-9	7902-A-17	7902-A-34	7902-A-51	7902-A-69
28	Spacer Shaft	3	7908-1	7908-2	7908-3	7908-4	7908-5
29	Spacer Tube	3	8291-8	8291-9	8291-10	8291-11	8291-12
39	Handwheel Shaft - Right hand unit	1	7905-1R	7905-2R	7905-3R	7905-4R	7905-5R
	Handwheel Shaft - Left hand unit		7905-1L	7905-2L	7905-3L	7905-4L	7905-5L
43	Holding Dog Shaft	1	7906-A-1	7906-A-2	7906-A-3	7906-A-4	7906-A-5

\* Right and left side frames purchased before 15 July 1993 have been replaced by new side frames which are completely interchangeable. For replacement parts, order new side frame (part number 22948) for both right and left applications.

\*\* Old style Shaft Collar (38) not available. To replace purchase item 38 Set Collar.

\*\*\* Not shown on drawings.

\*\*\*\* Item 50, Pin, not sold separately. To replace order item 42, Holding Dog Lever.



1074 Kenran Industrial Dr.  
St. Louis, MO 63137  
Phone: 1-800-381-9968

# HUMCO DECK FITTINGS

## Wintech Beebe 50H Barge Winch Assembly Parts List

### 50H Barge Winch Assembly Parts List



Common Parts			
ITEM NO.	DESCRIPTION	TOTAL QTY	PART NO.
1	Right Side Frame (before 15 July 1993)*	1	22937
	Side Frame		
2	Left Side Frame (before 15 July 1993)*	1	
	Side Frame		
3	Ratchet Lever Extension	1	7960-35
4	Grease Fitting, Dog	2	52676
5	Washer	3	9779
6	Ratchet Dog	1	7907
7	Ratchet Lever	1	7966
8	Retaining Ring	2	50810
9	Shaft, Ratchet Dog	1	7914
10	Key, Ratchet Wheel	2	19465-125
11	Ratchet Wheel	1	7965
12	Spring Guide, Ratchet	1	7911
13	Spring, Ratchet	1	50807
14	Bushing, Bearing Boss	2	1293-6
15	Pin, Holding Dog	1	50823
16	Grease Fitting, Bushing	1	53497
17	Cap Screw, Ratchet Stop	2	50884
18	Ratchet Stop	2	7917
19	Deck Bracket, Straight	2	324
	Deck Bracket, Angled		1111
20	Cap Screw, Deck Bracket	17	54221
21	Nut, Deck Bracket	18	50880

Common Parts			
ITEM NO.	DESCRIPTION	TOTAL QTY	PART NO.
24	Cap Screw	2	50878
25	Bushing, Drum	2	1293-4
27	Anchor Wedge 7/8"	1	334
	Anchor Wedge 1"		333
	Anchor Wedge 1 1/8"		332
	Anchor Wedge 1 1/4"		331
30	Gear Cover	1	7963
31	Lower Bracket, Left	1	7967-L
	Lower Bracket, Right		7967-R
32	Upper Bracket	1	7967
33	Grease Fitting, Shaft	3	53095
34	Nut, Shaft	8	50825
35	B-C Gear Bushing	1	1293-5
36	B-C Gear	1	338
38	Set Collar	1	4046-4
40	Washer	1	9779-1
41	Holding Dog	1	7968
42	Holding Dog Lever	1	7969
44	Washer, Holding Dog	1	18492
45	Cap Screw	1	50160
46	Warning Tag**	1	71087035
47	Model Label**	1	71108831
48	Bearing Boss	2	22943
49	Cap Screw	6	51766
50	Pin (Holding Dog Stop)	1	***

#### Parts by Drum Size (inches)

ITEM NO.	DESCRIPTION	TOTAL QTY	PART NO.				
			11"	20"	41"	61"	82"
22	Intermediate Shaft	1	326-1	326-2	326-4	326-5	326-7
23	Drum Shaft	1	325-1	325-2	325-4	325-5	325-7
26	Drum	1	7962-A-11	7962-A-20	7962-A-41	7962-A-61	7962-A-82
28	Spacer Shaft	3	7971-1	7971-2	7971-4	7971-5	7971-7
29	Spacer Tube	3	8291-1	8291-2	8291-4	8291-5	8291-7
39	Handwheel Shaft - Right hand unit	1	7964-1R	7964-2R	7964-4R	7964-5R	7964-7R
	Handwheel Shaft - Left hand unit		7964-1L	7964-2L	7964-4L	7964-5L	7964-7L
43	Holding Dog Shaft	1	7970-1	7970-2	7970-4	7970-5	7970-7

\* Right and left side frames purchased before 15 July 1993 have been replaced by new side frames which are completely interchangeable. For replacement parts, order new side frame (part number 22937) for both right and left applications.

\*\* Items not shown on drawings.



1074 Kenran Industrial Dr.  
St. Louis, MO 63137  
Phone: 1-800-381-9968

# HUMCO DECK FITTINGS

## Wintech Beebe 75H Barge Winch Assembly Parts List



## 75H Barge Winch Assembly Parts List

Common Parts			
ITEM NO.	DESCRIPTION	TOTAL QTY	PART NO.
1	Right Side Frame (before 15 July 1993)*	1	22939
	Side Frame		
2	Left Side Frame (before 15 July 1993)*	1	
	Side Frame		
3	Ratchet Lever Extension	1	7960-35
4	Grease Fitting, Dog	2	52676
5	Washer	3	9779
6	Ratchet Dog	1	7907
7	Ratchet Lever	1	7966
8	Retaining Ring	2	50810
9	Shaft, Ratchet Dog	1	7914
10	Key, Ratchet Wheel	2	19465-125
11	Ratchet Wheel	1	7965
12	Spring Guide, Ratchet	1	7911
13	Spring, Ratchet	1	50807
14	Bushing, Bearing Boss	2	1293-6
15	Pin, Holding Dog	1	50823
16	Grease Fitting, Bushing	1	53497
17	Cap Screw, Ratchet Stop	2	50884
18	Ratchet Stop	2	7917
19	Deck Bracket, Straight	2	8068
	Deck Bracket, Angled		8069
20	Cap Screw, Deck Bracket	17	54232
21	Nut, Deck Bracket	18	50880

Common Parts			
ITEM NO.	DESCRIPTION	TOTAL QTY	PART NO.
24	Cap Screw	2	50878
25	Bushing, Drum	2	1293-8
27	Anchor Wedge 1 1/8"	1	8070-1
	Anchor Wedge 1 1/4"		8070-2
	Anchor Wedge 1 3/8"		8070-3
	Anchor Wedge 1 1/2"		8070-4
30	Gear Cover	1	8064
31	Lower Bracket, Left	1	7967-L
	Lower Bracket, Right		7967-R
32	Upper Bracket	1	7967
33	Grease Fitting, Shaft	3	53095
34	Nut, Shaft	8	50825
35	Cluster Gear Bushing	1	1289-1
36	Cluster Gear	1	8063-E
38	Set Collar	1	4046-5
40	Washer	1	9779
41	Holding Dog	1	7968
42	Holding Dog Lever	1	7969
44	Washer, Holding Dog	1	18492
45	Cap Screw	1	50160
46	Warning Tag**	1	71087035
47	Model Label**	1	71108831
48	Bearing Boss	2	22944
49	Cap Screw	6	51766
50	Pin (Holding Dog Stop)	1	***

### Parts by Drum Size (inches)

ITEM NO.	DESCRIPTION	TOTAL QTY	PART NO.				
			10"	20"	40"	61"	81"
22	Intermediate Shaft	1	8066-1	8066-2	8066-3	8066-4	8066-5
23	Drum Shaft	1	8065-1	8065-2	8065-3	8065-4	8065-5
26	Drum	1	8062-10	8062-19	8062-40	8062-60	8062-81
28	Spacer Shaft	3	7971-1	7971-2	7971-4	7971-5	7971-7
29	Spacer Tube	3	8291-1	8291-2	8291-4	8291-5	8291-7
39	Handwheel Shaft - Right hand unit	1	7964-1R	7964-2R	7964-4R	7964-5R	7964-7R
	Handwheel Shaft - Left hand unit		7964-1L	7964-2L	7964-4L	7964-5L	7964-7L
43	Holding Dog Shaft	1	7970-1	7970-2	7970-4	7970-5	7970-7

\* Right and left side frames purchased before 15 July 1993 have been replaced by new side frames which are completely interchangeable. For replacement parts, order new side frame (part number 22939) for both right and left applications.

\*\* Items not shown on drawings.

\*\*\* Item 50, Pin, not sold separately. To replace order item 42, Holding Dog Lever.



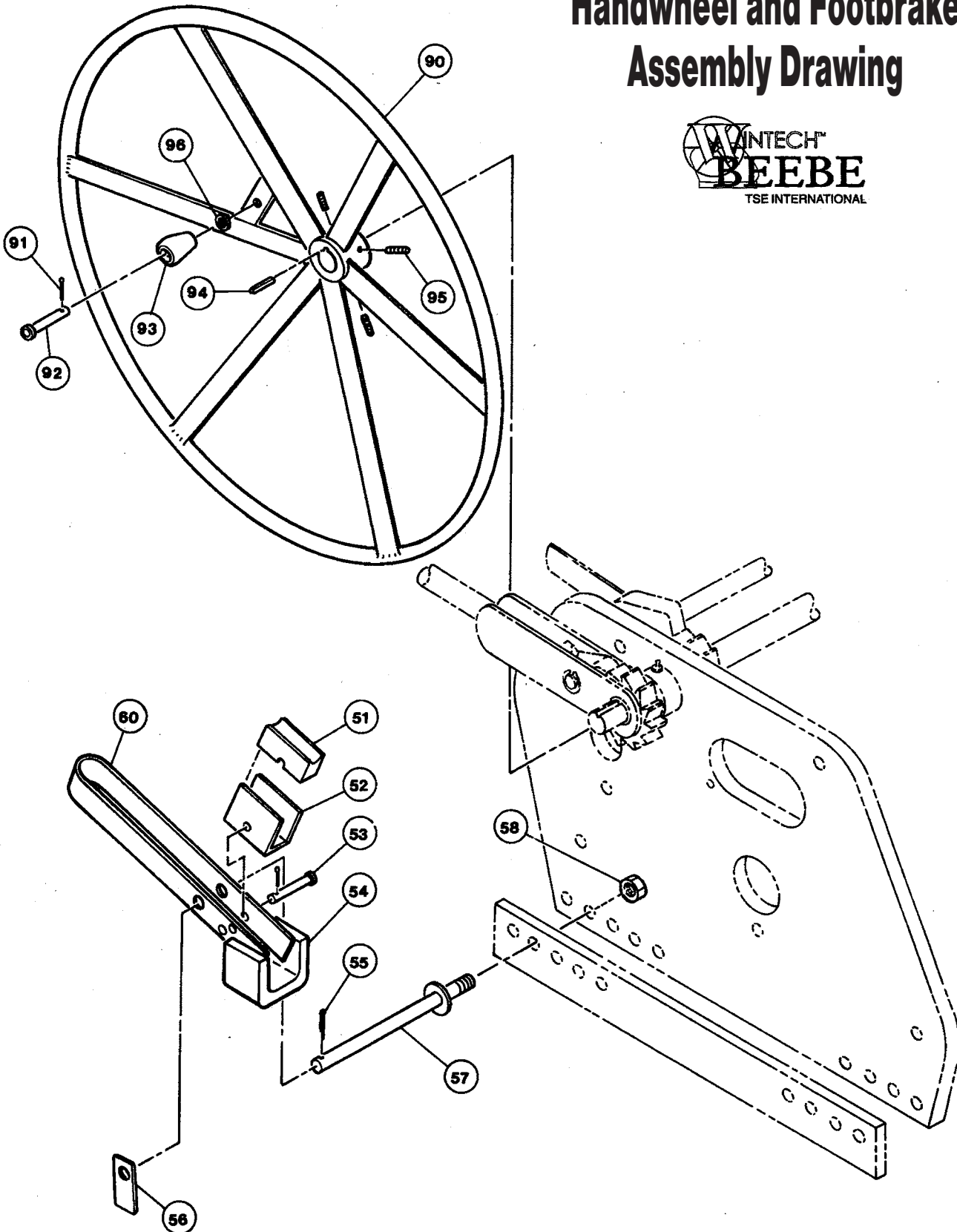


1074 Kenran Industrial Dr.  
St. Louis, MO 63137  
Phone: 1-800-381-9968

# HUMCO DECK FITTINGS

## Wintech Beebe Handwheel and Footbrake Assembly Drawing

### Handwheel and Footbrake Assembly Drawing





1074 Kenran Industrial Dr.  
St. Louis, MO 63137  
Phone: 1-800-381-9968

# HUMCO DECK FITTINGS

## Wintech Beebe Handwheel and Footbrake Assembly Parts List

### Handwheel and Footbrake Assembly Parts List



Handwheel					
ITEM NO.	DESCRIPTION	TOTAL QTY	PART NO.		
			25H	50H	75H
90	Handwheel	1	7927	347	8067
91	Cotter Pin (before 15 July 1993)	1	51996		
	Nut (after 15 July 1993)		51750		
92	Shaft, Spinner Knob (before 15 July 1993)	1	4867		
	Cap Screw (after 15 July 1993)		71059851		
93	Spinner Knob, Handwheel	1	4868		
94	Key, Shaft	1	19886-175		
95	Setscrew (before 15 July 1993)	4	50900		
	Setscrew (after 15 July 1993)	1			
96	Washer (before 15 July 1993)	1	50808		
	Washer (after 15 July 1993)	3			
Foot Brake					
—	Foot Brake Assembly	1	22956	323	
60	Brake Pedal Bar	1	322		
51	Brake Block, Oak	1	315		
52	Brake Pad	1	316		
53	Pin, Clevis	1	318		
54	Brake Pedal Counterbalance	1	Not sold separately. Order item 60.		
55	Pin, Cotter	2	51996		
56	Bracket	1	317		
57	Shaft	1	591	319	
58	Nut	1	50880		