



Universal Motion Components Watertight Doors

Watertight Door 4-dog Style

UMC's line of Water-tight doors are fabricated from high quality 1/4" plate steel. These doors are built to provide continuous trouble-free use on all kinds of industrial marine applications. Various standard sizes are available with alternate handle placement.

MODEL #	DESCRIPTION	PART #	WEIGHT	DIMENSIONS		
				"A"	"B"	
UMC-WTD-4D 26x54-R	4-Dog Door 26" x 54" Right Hand	06111-101A	200 lbs	RH	26"	54"
UMC-WTD-4D 26x54-L	4-Dog Door 26" x 54" Left Hand	06111-101B	200 lbs	LH	26"	54"
UMC-WTD-4D 26x60-R	4-Dog Door 26" x 60" Right Hand	06111-101C	220 lbs	RH	26"	60"
UMC-WTD-4D 26x60-L	4-Dog Door 26" x 60" Left Hand	06111-101D	220 lbs	LH	26"	60"
UMC-WTD-4D 30x60-R	4-Dog Door 30" x 60" Right Hand	06111-101E	250 lbs	RH	30"	60"
UMC-WTD-4D 30x60-L	4-Dog Door 30" x 60" Left Hand	06111-101F	250 lbs	LH	30"	60"



UMC-WTD-4D-30X60-R- Right-Handed door

DOOR MATERIAL:
Steel (ASTM A36)
Painted Primer Grey

Door handing can be determined by standing on the outside of the compartment with the door swinging toward you. Right-handed doors will have the hinges on the right from this perspective. Conversely, a left-handed door will have the hinges on the left.

8

Watertight Door 6-dog Style

UMC's line of Water-tight doors are fabricated from high quality 1/4" plate steel. These doors are built to provide continuous trouble-free use on all kinds of industrial marine applications. Various standard sizes are available with alternate handle placement.

MODEL #	DESCRIPTION	PART #	WEIGHT	DIMENSIONS		
				"A"	"B"	
UMC-WTD-6D 26x60-R	6-Dog Door 26" x 60" Right Hand	06121-101C	270 lbs	RH	26"	60"
UMC-WTD-6D 26x60-L	6-Dog Door 26" x 60" Left Hand	06121-101D	270 lbs	LH	26"	60"
UMC-WTD-6D 30x60-R	6-Dog Door 30" x 60" Right Hand	06121-101E	300 lbs	RH	30"	60"
UMC-WTD-6D 30x60-L	6-Dog Door 30" x 60" Left Hand	06121-101F	300 lbs	LH	30"	60"
UMC-WTD-6D 30x66-R	6-Dog Door 30" x 66" Right Hand	06121-101G	330 lbs	RH	30"	66"
UMC-WTD-6D 30x66-L	6-Dog Door 30" x 66" Left Hand	06121-101H	330 lbs	LH	30"	66"
UMC-WTD-6D 30x72-R	6-Dog Door 30" x 72" Right Hand	06121-101I	350 lbs	RH	30"	72"
UMC-WTD-6D 30x72-L	6-Dog Door 30" x 72" Left Hand	06121-101J	350 lbs	LH	30"	72"



UMC-WTD-6D-30X72-R- Right-Handed door

DOOR MATERIAL:
Steel (ASTM A36)
Painted Primer Grey

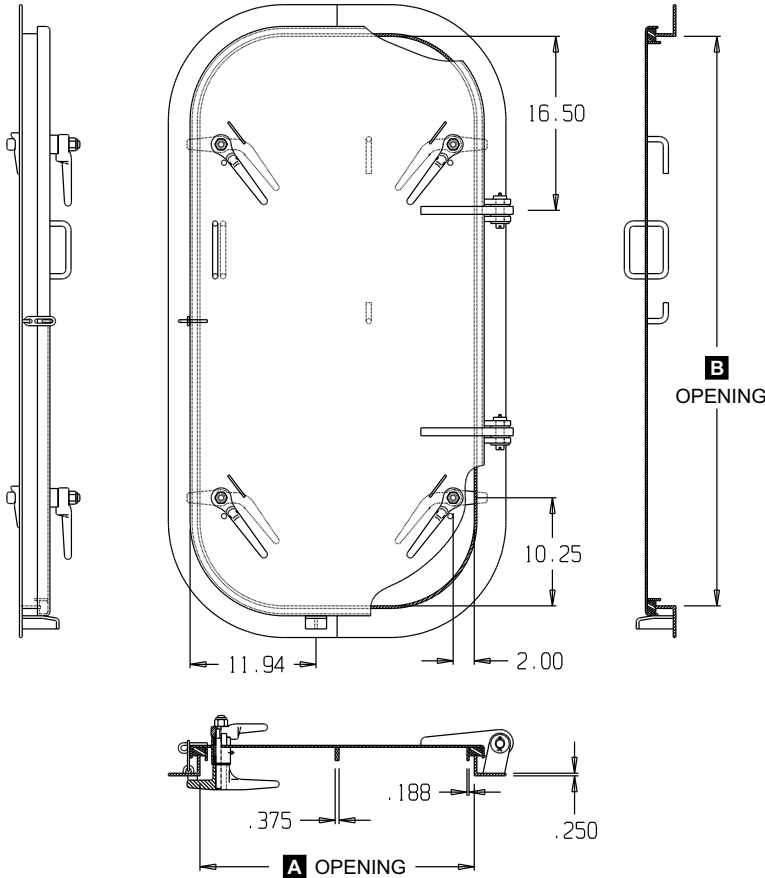
Door handing can be determined by standing on the outside of the compartment with the door swinging toward you. Right-handed doors will have the hinges on the right from this perspective. Conversely a left-handed door will have the hinges on the left.



1074 Kenran Industrial Dr.
St. Louis, MO 63137
Phone: 1-800-381-9968

HUMCO DOORS

Universal Motion Components Watertight Doors



BILL OF MATERIAL: UMC-WTD-4D

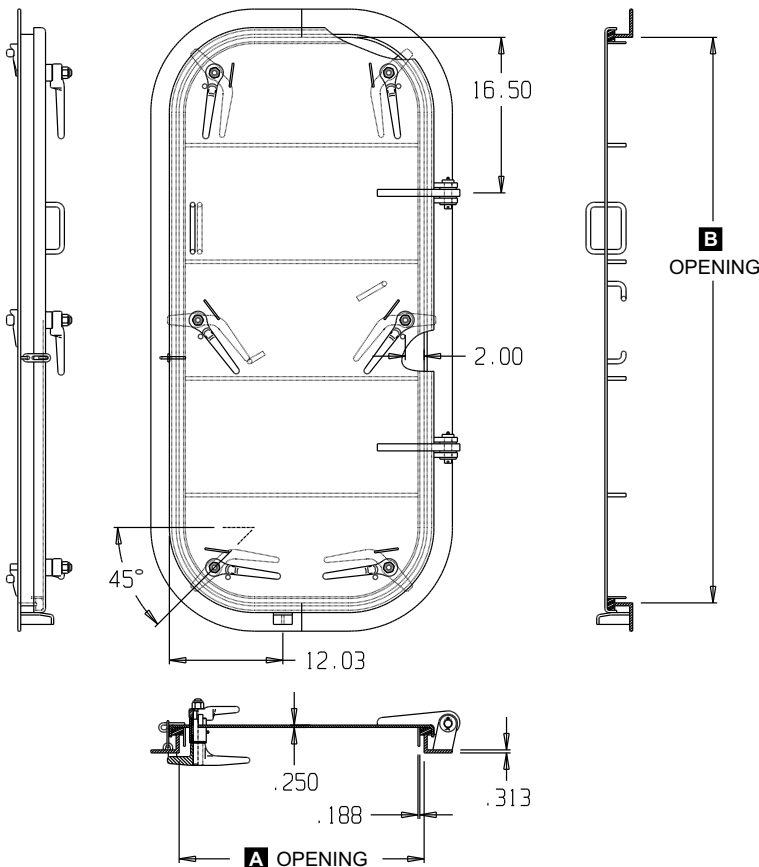
PC.NO.	DESCRIPTION	MATERIAL
1	DOOR	STEEL
2	COAMING	STEEL
3	HANDLE ASSY	MISC. SEE DETAIL
4	HINGE PIN	BRASS
5	WASHER	BRASS
6	COTTER PIN	STAINLESS STEEL
7	GASKET	NITRILE RUBBER
8	LUBE ZERK	BRASS
9	HASP	STEEL



WATERTIGHT DOOR

4 DOG HANDLE LH/RH OPTION
VARIOUS STANDARD SIZES
MODEL SERIES UMC-WTD-4D
06111 SERIES

DWG. NO. UMC-WTD-4D



BILL OF MATERIAL: UMC-WTD-6D

PC.NO.	DESCRIPTION	MATERIAL
1	DOOR	STEEL
2	COAMING	STEEL
3	HANDLE ASSY	MISC. SEE DETAIL
4	HINGE PIN	BRASS
5	WASHER	BRASS
6	COTTER PIN	STAINLESS STEEL
7	GASKET	NITRILE RUBBER
8	LUBE ZERK	BRASS
9	HASP	STEEL



WATERTIGHT DOOR

6 DOG HANDLE LH/RH OPTION
VARIOUS STANDARD SIZES
MODEL SERIES UMC-WTD-6D
06121 SERIES

DWG. NO. UMC-WTD-6D



Universal Motion Components Watertight Doors

Watertight Door Quick Acting Style

UMC's line of Water-tight doors are fabricated from high quality 1/4" plate steel. These doors are built to provide continuous trouble-free use on all kinds of industrial marine applications. Various standard sizes are available with alternate handle placement.

MODEL #	DESCRIPTION	PART #	WEIGHT	DIMENSIONS	
				"A"	"B"
UMC-WTD-QA 26x60-R	Quick Acting Door Right Hand 26" x 60"	06122-101C	320 lbs	RH	26" 60"
UMC-WTD-QA 26x60-L	Quick Acting Door Left Hand 26" x 60"	06122-101D	320 lbs	LH	26" 60"
UMC-WTD-QA 30x60-R	Quick Acting Door Right Hand 30" x 60"	06122-101E	350 lbs	RH	30" 60"
UMC-WTD-QA 30x60-L	Quick Acting Door Left Hand 30" x 60"	06122-101F	350lbs	LH	30" 60"
UMC-WTD-QA 30x66-R	Quick Acting Door Right Hand 30" x 66"	06122-101G	385 lbs	RH	30" 66"
UMC-WTD-QA 30x66-L	Quick Acting Door Left Hand 30" x 66"	06122-101H	385 lbs	LH	30" 66"
UMC-WTD-QA 30x72-R	Quick Acting Door Right Hand 30" x 72"	06122-101I	410 lbs	RH	30" 72"
UMC-WTD-QA 30x72-L	Quick Acting Door Left Hand 30" x 72"	06122-101J	410 lbs	LH	30" 72"



UMC-WTD-QA-30X72-R- Right Handed door

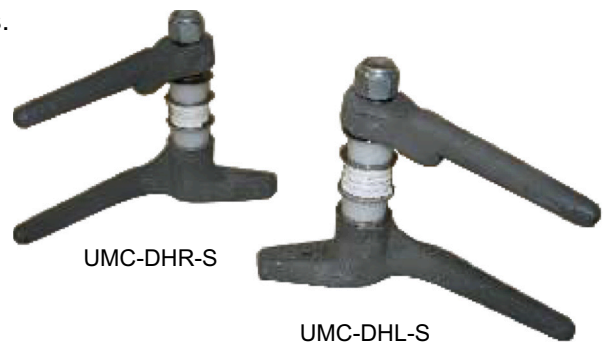
DOOR MATERIAL:
Steel (ASTM A36)
Painted Primer Grey

Door handing can be determined by standing on the outside of the compartment with the door swinging toward you. Right handed doors will have the hinges on the right from this perspective. Conversely a left handed door will have the hinges on the left.

8 Handle Assy Steel and Aluminium

Replacement door handles are available in cast steel and cast aluminum. These handles fit all UMC Universal Multi-dog Doors.

MODEL #	DESCRIPTION	PART #	WEIGHT	HANDLE
UMC-DHR-A	Handle Assy, Door Right Hand Aluminum	08340-105A	2.2 lbs	RH
UMC-DHL-A	Handle Assy, Door Left Hand Aluminum	08340-105B	2.2 lbs	LH
UMC-DHR-S	Handle Assy, Door Right Hand Steel	08340-101A	6 lbs	RH
UMC-DHL-S	Handle Assy, Door Left Hand Steel	08340-101B	6 lbs	LH



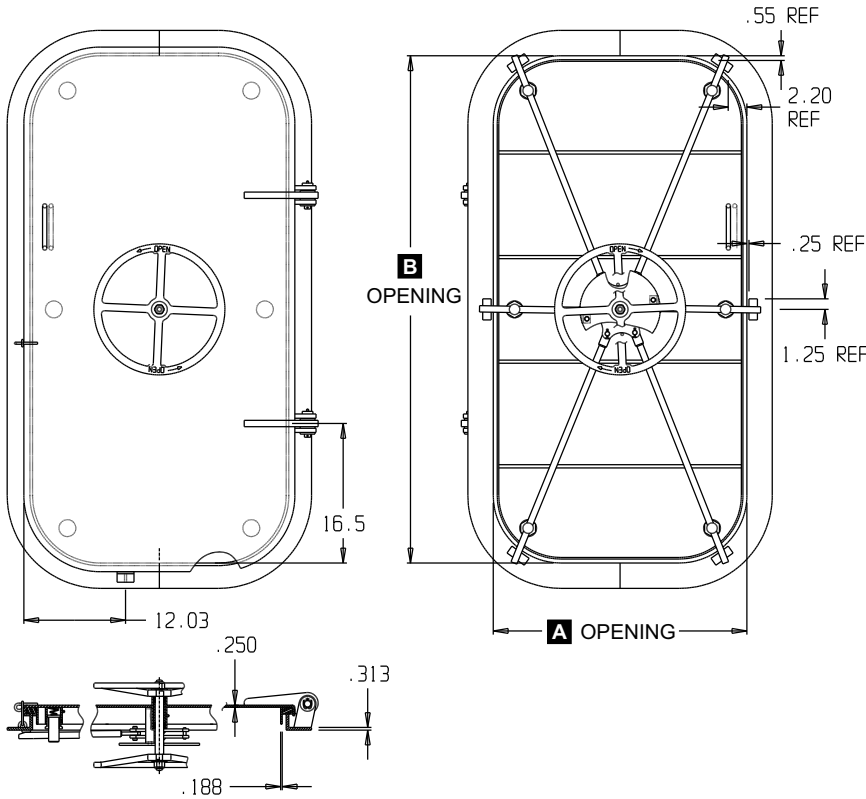
Door handing can be determined by standing on the outside of the compartment with the door swinging toward you. Right handed doors will have the hinges on the right from this perspective. Conversely a left handed door will have the hinges on the left.



1074 Kenran Industrial Dr.
St. Louis, MO 63137
Phone: 1-800-381-9968

HUMCO DOORS

Universal Motion Components Watertight Doors



BILL OF MATERIAL: UMC-WTD-QA

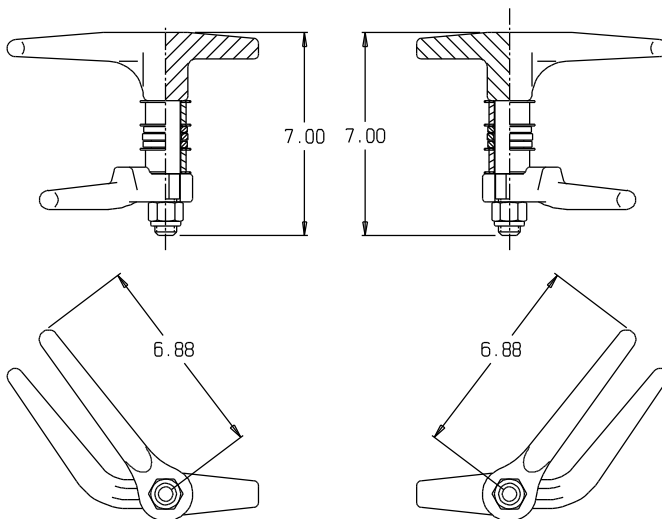
PC.NO.	DESCRIPTION	MATERIAL
1	DOOR	STEEL
2	COAMING	STEEL
3	HANDLE ASSY	MISC. SEE DETAIL
4	HINGE PIN	BRASS
5	WASHER	BRASS
6	COTTER PIN	STAINLESS STEEL
7	GASKET	NITRILE RUBBER
8	LUBE ZERK	BRASS
9	HASP	STEEL



WATERTIGHT DOOR

QUICK ACTING LH/RH OPTION
VARIOUS STANDARD SIZES
MODEL SERIES UMC-WTD-QA
06122 SERIES

DWG. NO. UMC-WTD-QA



BILL OF MATERIAL: UMC-DH

PC.NO.	DESCRIPTION	MATERIAL
1	HANDLE	STEEL
2	HANDLE BACKING	STEEL
3	BUSHINGS	NYLON
4	WASHER	STAINLESS STEEL
5	PACKING CHORD	FLAX
6	NYLOCK NUT	STAINLESS STEEL

8



WATERTIGHT DOOR HANDLE

STEEL AND ALUMINIUM LH/RH OPTION
STEEL RH 08340-101A - UMC-DHR-S
STEEL LH 08340-101B - UMC-DHL-S
ALUMINIUM RH 08340-105A - UMC-DHR-A
ALUMINIUM LH 08340-105B - UMC-DHL-A

DWG. NO. UMC-DH