



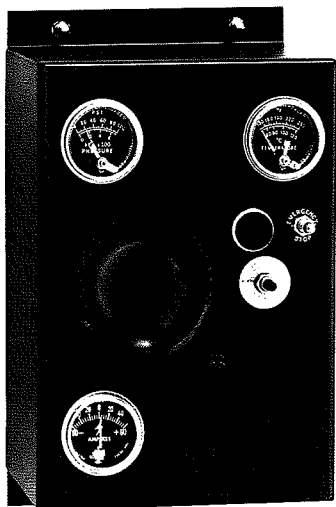
1074 Kenran Industrial Dr.
St. Louis, MO 63137
Phone: 1-800-381-9968

HUMCO ENGINE ROOM

Murphy SWICHGAGE® Shutdown Panel Kit



SWICHGAGE® Shutdown Panel Kit



W0168

W0168 and W0241

- Protection Against Dangerously Low Oil Pressure or High Temperature
- CLOSED-LOOP Circuitry Ensures Proper Operation at All Times
- Operates on 12 or 24 VDC Systems*
- Complete Kit Ready for Easy Installation
- Universal Mounting Panel



Description

The W0168 and W0241 panel kits are universal-fit instrument panels for most industrial engines. They include SWICHGAGE® protection for low engine oil pressure and high coolant or high oil temperature. These Panel Kits are similar—the W0168 has a start/stop key switch and the W0241 has a start push button.

Panel kits include:

- Low Lube Oil Pressure SWICHGAGE®
- High Coolant/Oil Temperature SWICHGAGE®
- 518PH Magnetic Switch
- Emergency stop push button
- Ignition key switch for start/stop (W0168)
- Push button for start (W0241)
- Ammeter 60-0-60
- Provisions for additional SWICHGAGE® controls, such as irrigation pump pressure or engine oil temperature
- Provisions for tachometer and throttle cable

SWICHGAGE® is two-instruments-in-one: (1) an accurate indicating gage with (2) a built-in, adjustable limit switch.

A 518PH Magnetic Switch provides a CLOSED-LOOP circuit to ensure proper operation at all times. The 518PH allows the system to be sensitive to open circuits, broken wires, false grounds, corrosion, loss of power and other factors which could otherwise prevent the protective controls from operating. It can be wired to either make or break a circuit for shutdown.

The universal mounting panel is enclosed on all 4 sides with open back. An optional back cover (model no. 30050800) is available for both kits. Panel Kits are prewired and ready to install and are available for 12 or 24 VDC systems.*

Specifications

Low Lube Oil Pressure SWICHGAGE®:

- 0-100 psi (0-689 kPa) [0-6.89 bar]
- 1/8 NPT process connection

High Coolant/Oil Temperature SWICHGAGE®:

- 130-250°F (54-121°C)
- 48 in. (1.2 m) capillary
- 1/2 NPT process connection

518PH Magnetic Switch:

12 or 24 volt (specify)

Ammeter: 60-0-60

Shipping Weight: 8 lbs. 8 ozs. (3.9 kgs.)

Shipping Dimensions:

16 x 11 x 5-1/2 in. (406 x 279 x 140 mm.)

Warranty

A two-year limited warranty on materials and workmanship is given with this Murphy product. Details are available on request and are packed with each unit.

How to Order

To order a Shutdown Panel Kit for your application, specify model number.

W0168

W0168B (back cover)

W0241

*NOTE: 12 volt kit is standard. If you require 24 volt kit—specify when ordering.



1074 Kenran Industrial Dr.
St. Louis, MO 63137
Phone: 1-800-381-9968

HUMCO ENGINE ROOM

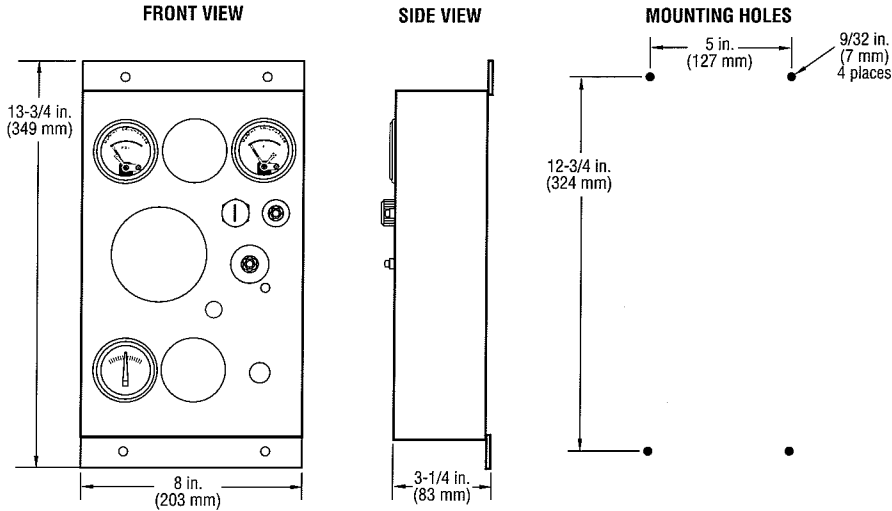
Murphy SWICHGAGE® Shutdown Panel Kit

SWICHGAGE® Shutdown Panel Kit

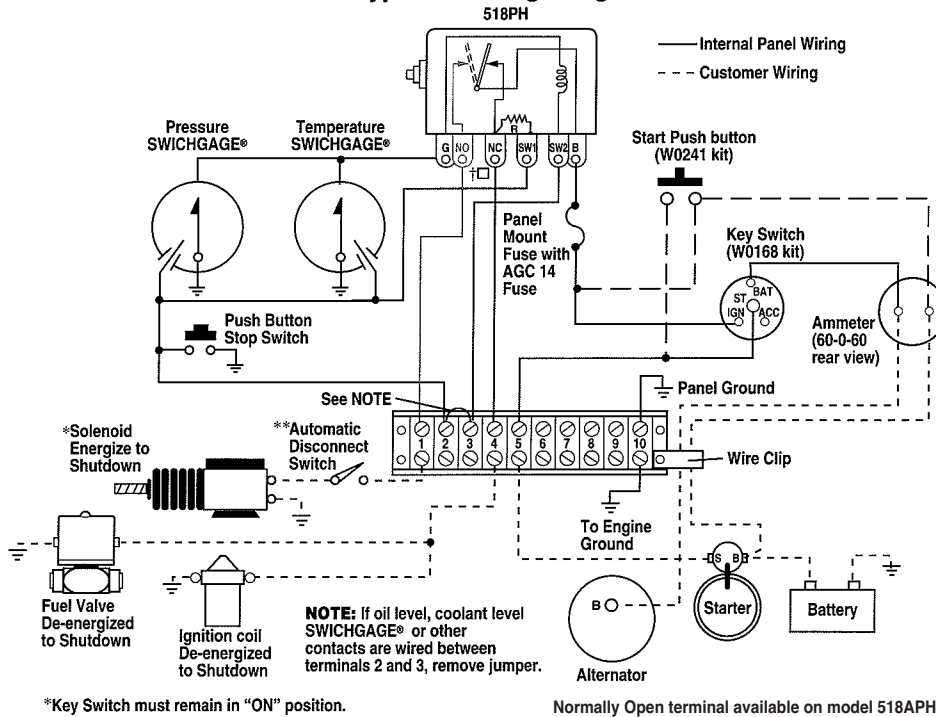


Dimensions

Dimensions below are for both Panel Kits.



Typical Wiring Diagram



7

CAUTION: "OIL FILLED INSTRUMENTS CONTAIN SILICON OIL" Exposure may be hazardous under certain circumstances. "DO NOT CUT CAPILLARY" It contains chemicals or solvents which may be hazardous under certain circumstances. "Keep out of Eyes, Mouth and Do Not expose to Skin". Keep out of reach of children. Flush thoroughly with water and seek medical attention. If swallowed, call physician immediately. MSDS Sheets are available by calling: 800-381-9968.

CAUTION: Certain dangers to human safety and to equipment may occur if some equipment is stopped without pre-warning. It is recommended that monitored functions be limited to alarm-only or to alarm before shutdown.

In order to consistently bring you the highest quality, full featured products, we reserve the right to change our specifications and designs at any time.



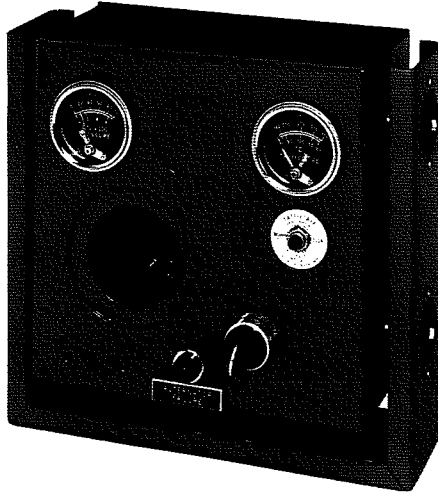
1074 Kenran Industrial Dr.
St. Louis, MO 63137
Phone: 1-800-381-9968

HUMCO ENGINE ROOM

Murphy Shutdown Panel Kits



Shutdown Panel Kits for DEUTZ and Other Engines



W0156 and W0169

- Protection Against Dangerously Low Oil Pressure or High Temperature
- CLOSED-LOOP Circuitry Ensures Proper Operation at All Times
- Weatherproof and Shock-Mounted
- Complete Kit Ready for Easy Installation
- Fits DEUTZ FL912 and FL913 Series and Other Engines

7

Description

The W0156 and W0169 panel kits were developed specifically for air-cooled and liquid-cooled engines where a weather proof engine panel is required. Both kits features SWICHGAGE® protection for low engine oil pressure and high cylinder head or high oil temperature. Shock-mounted panel bolts directly to the flywheel housing or bracket of your design.

These kits were originally designed for DEUTZ FL912 and FL913 series engines, but can be used on a variety of engines. Internal wiring mates with standard DEUTZ circuit.

Panel kits include:

- Low Lube Oil Pressure SWICHGAGE®
- Cylinder Head/Oil Temperature SWICHGAGE®
- 518APH Magnetic Switch
- Alternator failure light
- Ignition key switch
- Provisions for additional SWICHGAGE® instruments such as irrigation pump pressure or voltmeter/ammeter etc
- Provisions for tachometer.

SWICHGAGE® controls are two instruments in one: (1) an accurate indicating gage with (2) a built-in, adjustable limit switch.

A 518PH Magnetic Switch provides a CLOSED-LOOP circuit to ensure proper operation at all times. The 518PH allows the system to be sensitive to open circuits, broken wires, false grounds, corrosion, loss of power and other factors which could otherwise prevent the protective controls from operating. It can be wired to either make or break a circuit for shutdown.

The mounting panel is enclosed. Panel Kits are prewired and ready to install and are available for 12 or 24 VDC systems.*

Specifications

Low Lube Pressure SWICHGAGE®:

- 0-100 psi (0-689 kPa) [0-6.89 bar].
- 1/8 NPT process connection.

Temperature SWICHGAGE®:

- Cylinder Head Temperature (W0156): 160-320°F (71-160°C), M10 x 1.5 process connection.
- Oil Temperature (W0169): 130-250°F (54-121°C), 1/2NPT process connection.
- 48 in. (1.2 m) capillary.

518PH Magnetic Switch:

12 or 24 volt (specify)

Shipping Weight: 14lb. (6.4 kgs.)

Shipping Dimensions:

14-7/8 x 14-7/8 x 6-3/4 in. (378 x 378 x 171 mm.)

How to Order

Specify part number

W0156: For air-cooled engines

W0169: For liquid-cooled engines

*NOTE: 12 volt kit is standard. If you require 24 volt kit-specify when ordering

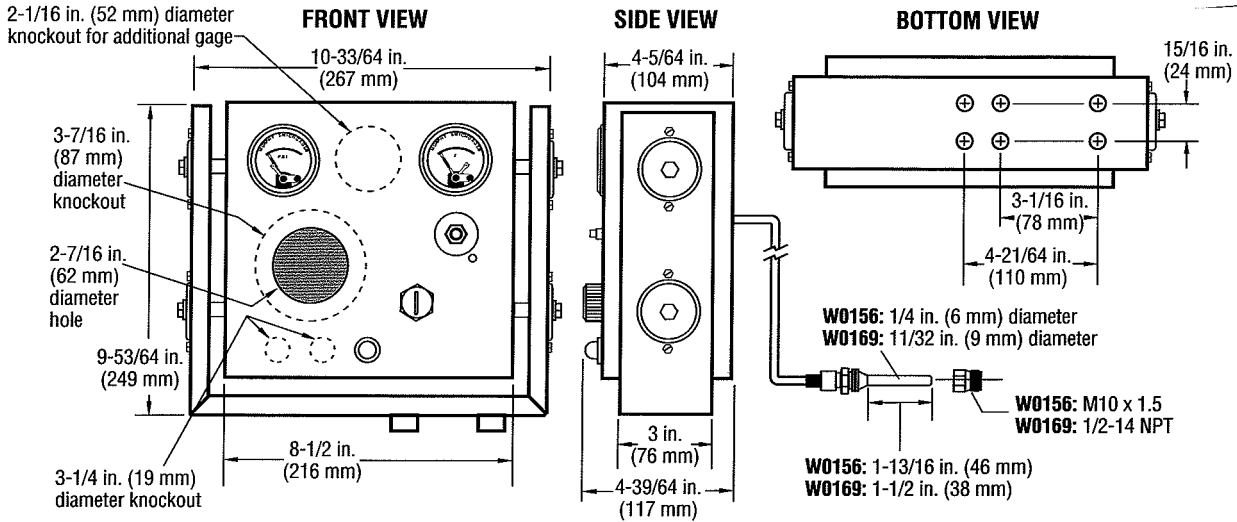
Warranty

A two limited warranty on materials and workmanship is given with this Murphy product. Details are available on request and are packed with each unit.

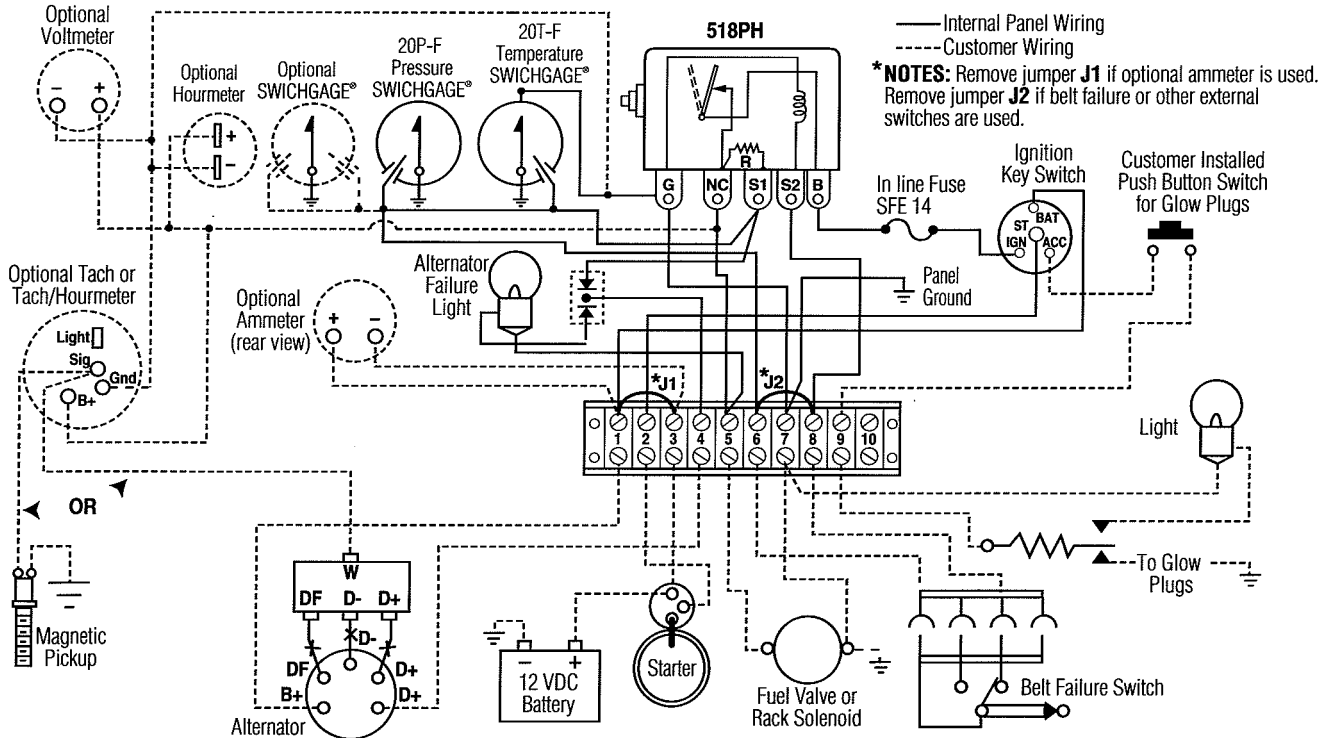
Murphy Shutdown Panel Kits

Dimensions

Dimensions are for both Panel Kits.



Typical Wiring Diagram for DEUTZ



CAUTION: "OIL FILLED INSTRUMENTS CONTAIN SILICON OIL" Exposure may be hazardous under certain circumstances.

"DO NOT CUT CAPILLARY" It contains chemicals or solvents which may be hazardous under certain circumstances.

"Keep out of Eyes, Mouth and Do Not expose to Skin". Keep out of reach of children. Flush thoroughly with water and seek medical attention. If swallowed, call physician immediately. MSDS Sheets are available by calling: 800-381-9968.

CAUTION: Certain dangers to human safety and to equipment may occur if some equipment is stopped without pre-warning. It is recommended that monitored functions be limited to alarm-only or to alarm before shutdown.

In order to consistently bring you the highest quality, full featured products, we reserve the right to change our specifications and designs at any time.