



1074 Kenran Industrial Dr.
St. Louis, MO 63137
Phone: 1-800-381-9968

HUMCO ENGINE CONTROLS

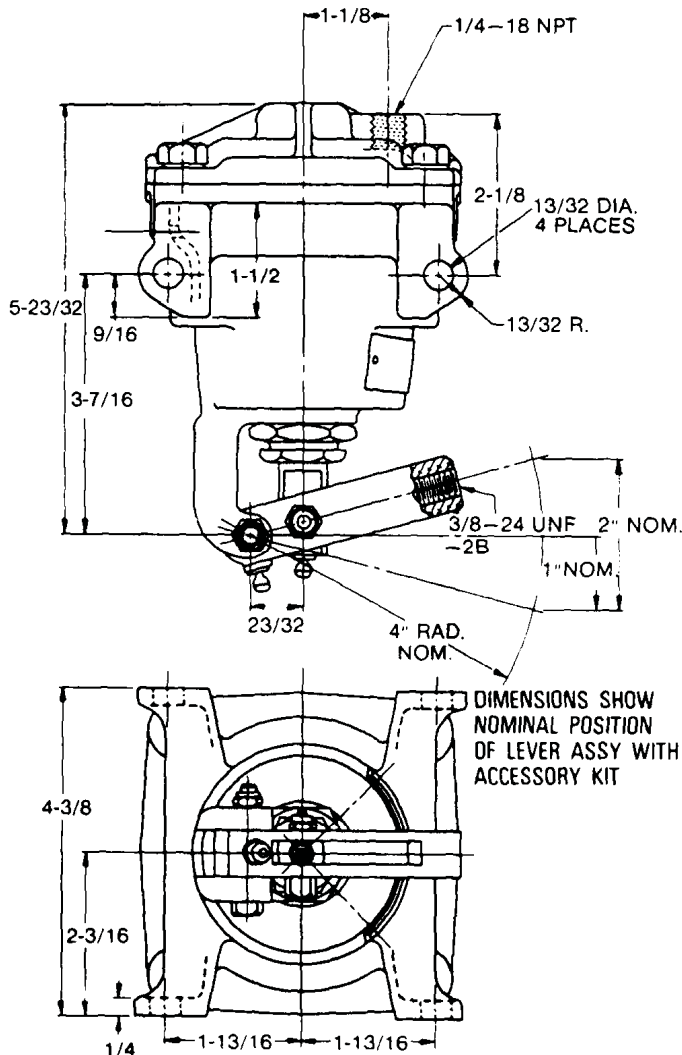
Rexroth Associated Components A-2-H Actuator



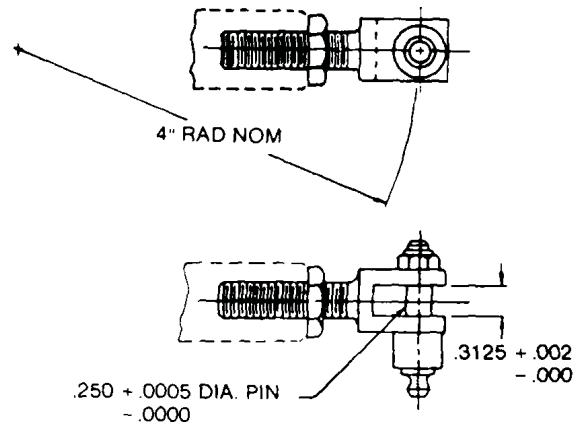
Pressure Range psi (bar)	Description	Part No.	Old Part No.
3-15 (0.21 - 1.0)	Less Accessories	R431005216	P -059718-00010
3-15 (0.21 -1.0)	With Accessories	R431005217	P -059718-00011
10-60 (0.69 - 4.14)	Less Access.-w/Drain Hole	R431005745	P -061289-00010
10-60 (0.69 - 4.14)	Less Accessories	R431004009	P -057159-00010
10-60 (0.69 - 4.14)	With Accessories	R431004010	P -057159-00011
10-60 (0.69 - 4.14)	With Ball Joint Kit	R431004011	P -057159-00012
15-80 (1.0 - 5.52)	With Accessories	R431004529	P -058430-00011
35-90 (2.41- 6.21)	Less Accessories	R431003983	P -057086-00010
35-90 (2.41- 6.21)	With Accessories	R431003984	P -057086-00011

Force rating: 410 in.-lb. degrees (46.3 Nm)
Nominal stroke: 2" (50.8 mm), adjustable from 1 7/8" to 2 1/4" (47.63 to 57.15 mm)
Weight: 3 lbs. (1.36 kg)
Integral mounting lugs make installation simple and clean

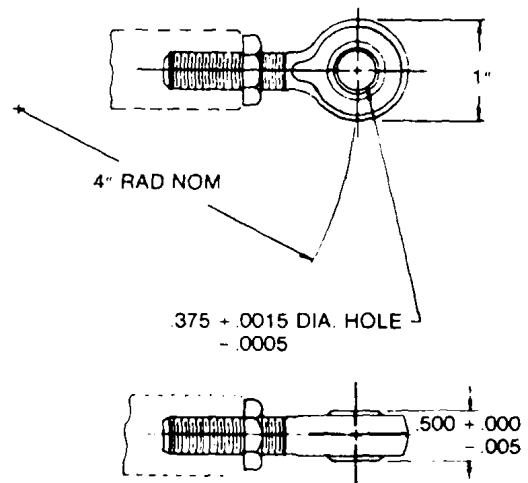
6



Accessory kit, part no. R431004143
(Old part no. P -057415-00000)



Operating lever kit, part no. R431004145
(Old part no. P -057416-00000)





1074 Kenran Industrial Dr.
 St. Louis, MO 63137
 Phone: 1-800-381-9968

HUMCO ENGINE CONTROLS

Rexroth Associated Components AA-1 Actuator



Description	Part No.	Old Part No.	Weight lbs. (kg)
AA-1, 1/4" rod eye	R431005436	P -060263-00001	8 (3.63)
AA-1, 5/16" rod eye	R431005437	P -060263-00002	8.5 (3.86)
AA-1, 3/8" rod eye	R431005438	P -060263-00003	8.5 (3.86)

Type: diaphragm-lever actuator, single direction
 Force rating: 1125 in.-lb. degrees (127.1 Nm)
 Pressure range: 10 to 60 psi (0.69 to 4.14 bar)
 Output travel adjustment: from 7/8" to 2 1/4" (22.23 to 57.15 mm)
 Weight: 3 lbs. (1.36 kg)

MODEL AA-1

