



1074 Kenran Industrial Dr.
St. Louis, MO 63137
Phone: 1-800-381-9968

SmartCommand

SmartCommand is ZF's premium control system, integrating the latest in CANbus (Controller Area Network) technology into a user friendly control head.

SmartCommand has been developed and can work together with a specialized MTCU (Marine Transmission Control Unit). The innovative and compact control head design combines an ergonomic lever shape with a user friendly display where all available functions can be easily selected using 2 soft touch push buttons. Visual indicators help locating the neutral detent position while 2-color LED's indicate if the control head is in command and if the transmission is in gear.

SmartCommand offers the freedom to customize special features for docking or trolling. Advanced control modes for SmartCommand include: Easidock, Autotroll, Warm-up and One Lever Operation



EASIDOCK mode offers the operator a positive clutch response while insuring easy and precise maneuverability in tight docking situations. This enhanced feature provides the ability to modulate the clutches and to control the engine speed to obtain the shaft RPM's required to safely dock the vessel.



AUTOTROLL mode allows a full range of shaft speed control using a closed loop feedback sensor to maintain a constant propeller RPM. This feature controls clutch slippage while maintaining slow engine speed.

Warm up mode is useful to increase engine RPM by locking the transmission in neutral.

One Lever mode allows you to enjoy the benefit of multi-engine operation with full shift and throttle control by operating a single lever.

Cruise mode is the normal operating condition. In this mode the operator has single lever control of clutch and throttle with one control head lever for each engine.

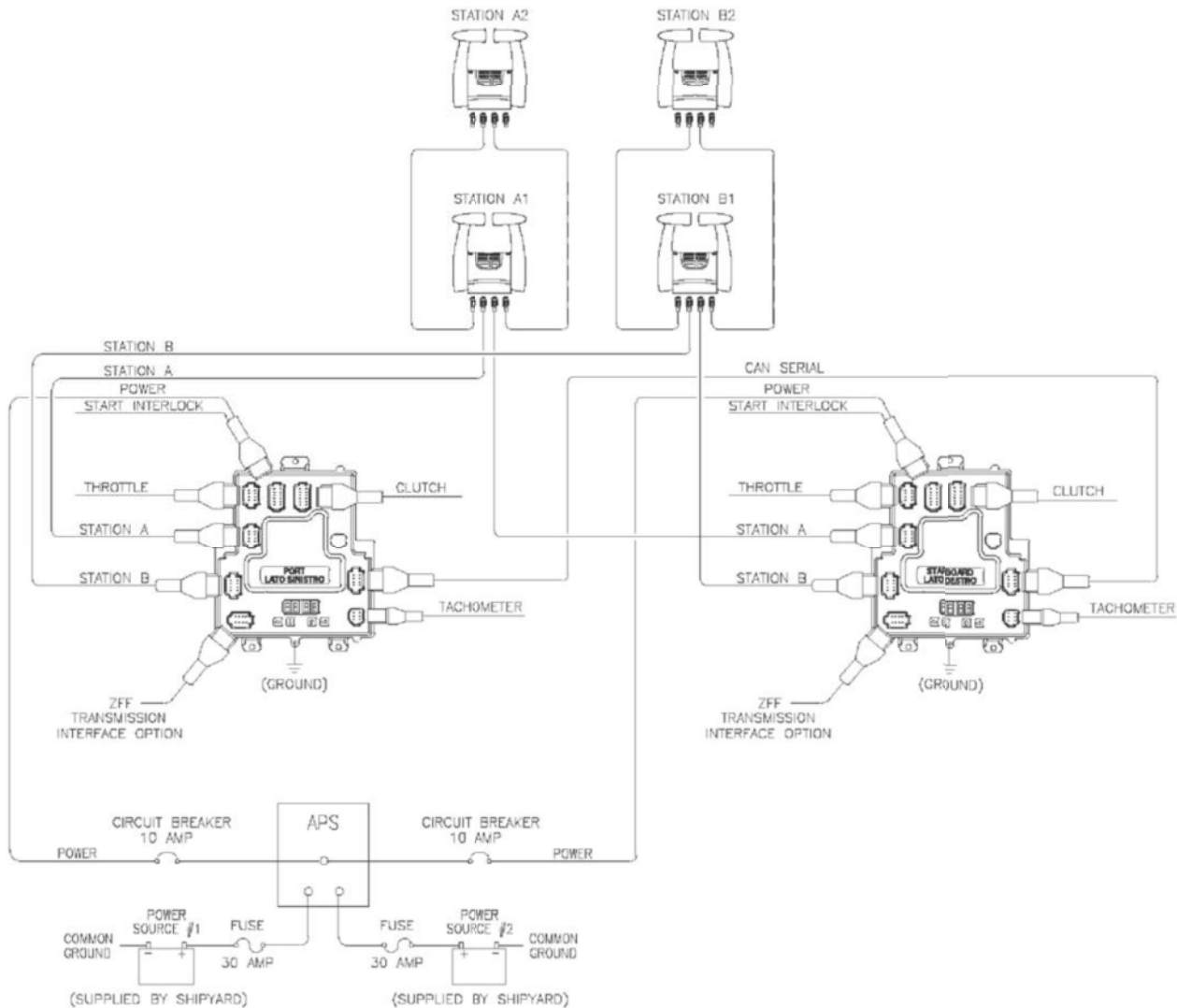
SmartCommand's CANbus communication perfectly synchronizes engines automatically without the need for special buttons or switches.





SmartCommand

EXAMPLE OF TWIN SCREW - 4 STATION SC5000 SERIES



REQUIREMENTS:

- (2) POWER / START INTERLOCK CABLE
- (4) PROCESSOR TO CONTROL HEAD CABLE
- (4) CONTROL HEAD TO CONTROL HEAD CABLE
- (1) SERIAL CABLE - ON TWIN ENGINE APPLICATIONS
- (2) TACHOMETER FEEDBACK CABLE - SYNCH APPLICATIONS ONLY
- (4) SC5000
- (1) APS
- (2) 10 AMP C.B.



1074 Kenran Industrial Dr.
St. Louis, MO 63137
Phone: 1-800-381-9968

ZF Marine SmartCommand



SmartCommand

SMARTCOMMAND COMPONENTS	PART NUMBER
PROCESSOR ASSEMBLY- SMARTCOMMAND	SC5000
CONTROL HEAD- DUAL LEVER, SMARTCOMMAND	5200
CONTROL HEAD, DUAL LEVER, LOW PROFILE, SMARTCOMMAND	5200LP
CONTROL HEAD, TOURNAMENT, DUAL CHROME LEVERS WITH PANEL (SC)	522-5SC
CONTROL HEAD, TOURNAMENT, LEFT	522-5LSC
CONTROL HEAD, TOURNAMENT, RIGHT	522-5RSC
HANDHELD, SMARTCOMMAND	TBD
CANTRAK DISPLAY- LCD SMARTCOMMAND	70539
WIRE HARNESS - CANTRAK, CAN COMMUNICATION, MULTI-DROP/ POWER	70560

6

SMARTCOMMAND WIRE HARNESSES

PROCESSOR TO PROCESSOR CAN	PART NUMBER
WIRE HARNESS - PROCESSOR TO PROCESSOR CAN, 2 FT (.61m)	70261-2
WIRE HARNESS - PROCESSOR TO PROCESSOR CAN, 3 FT (.91m)	70261-3
WIRE HARNESS - PROCESSOR TO PROCESSOR CAN, 10 FT (3.05m)	70261-10
WIRE HARNESS - PROCESSOR TO PROCESSOR CAN, 15 FT (4.57m)	70261-15
WIRE HARNESS - PROCESSOR TO PROCESSOR CAN, 20 FT (6.10m)	70261-20
WIRE HARNESS - PROCESSOR TO PROCESSOR CAN, 30 FT (9.14m)	70261-30
WIRE HARNESS - PROCESSOR TO PROCESSOR CAN, 35 FT (10.67m)	70261-35
WIRE HARNESS - PROCESSOR TO PROCESSOR CAN, 40 FT (12.19m)	70261-40



1074 Kenran Industrial Dr.
St. Louis, MO 63137
Phone: 1-800-381-9968

ZF Marine SmartCommand



SmartCommand

PROCESSOR TO PROCESSOR CAN, TRIPLET + SCREW	PART NUMBER
WIRE HARNESS - PROC TO PROC, TRIPLE + SCREW, 3 FT (.91m)	70262-3
WIRE HARNESS - PROC TO PROC, TRIPLE + SCREW, 10 FT (3,05m)	70262-10
WIRE HARNESS - PROC TO PROC, TRIPLE + SCREW, 15 FT (4,57m)	70262-15
WIRE HARNESS - PROC TO PROC, TRIPLE + SCREW, 20 FT (6,10m)	70262-20
WIRE HARNESS - PROC TO PROC, TRIPLE + SCREW, 30 FT (9,14m)	70262-30
WIRE HARNESS - PROC TO PROC, TRIPLE + SCREW, 40 FT (12,19m)	70262-40

6

TACHOMETER	PART NUMBER
WIRE HARNESS - TACHOMETER, SMARTCOMMAND, 10 FT (3,05m)	70264-10
WIRE HARNESS - TACHOMETER, SMARTCOMMAND, 15 FT (4,57m)	70264-15
WIRE HARNESS - TACHOMETER, SMARTCOMMAND, 20 FT (6,10m)	70264-20
WIRE HARNESS - TACHOMETER, SMARTCOMMAND, 30 FT (9,14m)	70264-30
WIRE HARNESS - TACHOMETER, SMARTCOMMAND, 40 FT (12,19m)	70264-40

CONTROL HEAD TO CONTROL HEAD	PART NUMBER
WIRE HARNESS - CH TO CH, SMARTCOMMAND, 5 FT (1,52m)	70268-5
WIRE HARNESS - CH TO CH, SMARTCOMMAND, 10 FT (3,05m)	70268-10
WIRE HARNESS - CH TO CH, SMARTCOMMAND, 15 FT (4,57m)	70268-15
WIRE HARNESS - CH TO CH, SMARTCOMMAND, 20 FT (6,10m)	70268-20
WIRE HARNESS - CH TO CH, SMARTCOMMAND, 25 FT (7,62m)	70268-25
WIRE HARNESS - CH TO CH, SMARTCOMMAND, 30 FT (9,14m)	70268-30
WIRE HARNESS - CH TO CH, SMARTCOMMAND, 35 FT (10,67m)	70268-35
WIRE HARNESS - CH TO CH, SMARTCOMMAND, 40 FT (12,19m)	70268-40
WIRE HARNESS - CH TO CH, SMARTCOMMAND, 45 FT (13,72m)	70268-45



1074 Kenran Industrial Dr.
 St. Louis, MO 63137
 Phone: 1-800-381-9968

HUMCO ENGINE CONTROLS

ZF Marine SmartCommand



SmartCommand

CONTROL HEAD TO CONTROL HEAD	PART NUMBER
WIRE HARNESS - CH TO CH, SMARTCOMMAND, 50 FT (15,24m)	70268-50
WIRE HARNESS - CH TO CH, SMARTCOMMAND, 55 FT (16,76m)	70268-55
WIRE HARNESS - CH TO CH, SMARTCOMMAND, 60 FT (18,29m)	70268-60
WIRE HARNESS - CH TO CH, SMARTCOMMAND, 65 FT (19,81m)	70268-65
WIRE HARNESS - CH TO CH, SMARTCOMMAND, 70 FT (21,33m)	70268-70
WIRE HARNESS - CH TO CH, SMARTCOMMAND, 75 FT (22,86m)	70268-75
WIRE HARNESS - CH TO CH, SMARTCOMMAND, 80 FT (24,38m)	70268-80
WIRE HARNESS - CH TO CH, SMARTCOMMAND, 85 FT (25,91m)	70268-85
WIRE HARNESS - CH TO CH, SMARTCOMMAND, 90 FT (27,43m)	70268-90
WIRE HARNESS - CH TO CH, SMARTCOMMAND, 95 FT (28,95m)	70268-95
WIRE HARNESS - CH TO CH, SMARTCOMMAND, 100 FT (30,48m)	70268-100

CONTROL HEAD TO PROCESSOR	PART NUMBER
WIRE HARNESS - CH TO PROCESSOR, SMARTCOMMAND, 3 FT (.91m)	70269-3
WIRE HARNESS - CH TO PROCESSOR, SMARTCOMMAND, 5 FT (1,52m)	70269-5
WIRE HARNESS - CH TO PROCESSOR, SMARTCOMMAND, 10 FT (3,05m)	70269-10
WIRE HARNESS - CH TO PROCESSOR, SMARTCOMMAND, 15 FT (4,57m)	70269-15
WIRE HARNESS - CH TO PROCESSOR, SMARTCOMMAND, 20 FT (6,10m)	70269-20
WIRE HARNESS - CH TO PROCESSOR, SMARTCOMMAND, 25 FT (7,62m)	70269-25
WIRE HARNESS - CH TO PROCESSOR, SMARTCOMMAND, 30 FT (9,14m)	70269-30
WIRE HARNESS - CH TO PROCESSOR, SMARTCOMMAND, 35 FT (10,67m)	70269-35
WIRE HARNESS - CH TO PROCESSOR, SMARTCOMMAND, 40 FT (12,19m)	70269-40
WIRE HARNESS - CH TO PROCESSOR, SMARTCOMMAND, 45 FT (13,72m)	70269-45
WIRE HARNESS - CH TO PROCESSOR, SMARTCOMMAND, 50 FT (15,24m)	70269-50



1074 Kenran Industrial Dr.
St. Louis, MO 63137
Phone: 1-800-381-9968



SmartCommand

6

CONTROL HEAD TO PROCESSOR	PART NUMBER
WIRE HARNESS - CH TO PROCESSOR, SMARTCOMMAND, 55 FT (16,76m)	70269-55
WIRE HARNESS - CH TO PROCESSOR, SMARTCOMMAND, 60 FT (18,29m)	70269-60
WIRE HARNESS - CH TO PROCESSOR, SMARTCOMMAND, 65 FT (19,81m)	70269-65
WIRE HARNESS - CH TO PROCESSOR, SMARTCOMMAND, 70 FT (21,33m)	70269-70
WIRE HARNESS - CH TO PROCESSOR, SMARTCOMMAND, 75 FT (22,86m)	70269-75
WIRE HARNESS - CH TO PROCESSOR, SMARTCOMMAND, 80 FT (24,38m)	70269-80
WIRE HARNESS - CH TO PROCESSOR, SMARTCOMMAND, 85 FT (25,91m)	70269-85
WIRE HARNESS - CH TO PROCESSOR, SMARTCOMMAND, 90 FT (27,43m)	70269-90
WIRE HARNESS - CH TO PROCESSOR, SMARTCOMMAND, 95 FT (28,95m)	70269-95
WIRE HARNESS - CH TO PROCESSOR, SMARTCOMMAND, 100 FT (30,48m)	70269-100

CANTRAK ISO CAN MULTI-DROP	PART NUMBER
WIRE HARNESS - ISO CAN, CANTRAK, 30 FT (9,14m)	70559-30
WIRE HARNESS - ISO CAN, CANTRAK, 40 FT (12,19m)	70559-40
WIRE HARNESS - ISO CAN, CANTRAK, 50 FT (15,24m)	70559-50
WIRE HARNESS - ISO CAN, CANTRAK, 60 FT (18,29m)	70559-60
WIRE HARNESS - ISO CAN, CANTRAK, 70 FT (21,33m)	70559-70
WIRE HARNESS - ISO CAN, CANTRAK, 80 FT (24,38m)	70559-80
WIRE HARNESS - ISO CAN, CANTRAK, 90 FT (27,43m)	70559-90
WIRE HARNESS - ISO CAN, CANTRAK, 100 FT (30,48m)	70559-100

Note: Other Wire Harnesses can be used with the SmartCommand system. You can find these wire harnesses on page 281 in the "WIRE HARNESSES" section.



1074 Kenran Industrial Dr.
 St. Louis, MO 63137
 Phone: 1-800-381-9968

ZF Marine SmartCommand



SmartCommand

CLUTCH (ZFPD GEAR)	PART NUMBER
WIRE HARNESS - CLUTCH (ZFPD GEAR), 10 FT (3,05m)	70259-10
WIRE HARNESS - CLUTCH (ZFPD GEAR), 15 FT (4,57m)	70259-15
WIRE HARNESS - CLUTCH (ZFPD GEAR), 20 FT (6,10m)	70259-20
WIRE HARNESS - CLUTCH (ZFPD GEAR), 30 FT (9,14m)	70259-30
WIRE HARNESS - CLUTCH (ZFPD GEAR), 35 FT (10,67m)	70259-35
WIRE HARNESS - CLUTCH (ZFPD GEAR), 40 FT (12,19m)	70259-40
WIRE HARNESS - CLUTCH (ZFPD GEAR), 50 FT (15,24m)	70259-50
WIRE HARNESS - CLUTCH (ZFPD GEAR), 60 FT (18,29m)	70259-60

CLUTCH (MTCU-ZFF GEAR)	PART NUMBER
WIRE HARNESS - CLUTCH (MTCU-ZFF GEAR), 10 FT (3,05m)	70260-10
WIRE HARNESS - CLUTCH (MTCU-ZFF GEAR), 15 FT (4,57m)	70260-15
WIRE HARNESS - CLUTCH (MTCU-ZFF GEAR), 20 FT (6,10m)	70260-20
WIRE HARNESS - CLUTCH (MTCU-ZFF GEAR), 30 FT (9,14m)	70260-30
WIRE HARNESS - CLUTCH (MTCU-ZFF GEAR), 35 FT (10,67m)	70260-35
WIRE HARNESS - CLUTCH (MTCU-ZFF GEAR), 40 FT (12,19m)	70260-40
WIRE HARNESS - CLUTCH (MTCU-ZFF GEAR), 50 FT (15,24m)	70260-50
WIRE HARNESS - CLUTCH (MTCU-ZFF GEAR), 60 FT (18,29m)	70260-60

Note: Other Wire Harnesses can be used with the SmartCommand system. You can find these wire harnesses on page 281 in the "WIRE HARNESSSES" section.



1074 Kenran Industrial Dr.
St. Louis, MO 63137
Phone: 1-800-381-9968



SmartCommand

6

CLUTCH (MTCU POWER - ZFF GEAR)	PART NUMBER
WIRE HARNESS - CLUTCH ZFF GEAR, MTCU POWER, 10 FT (3,05m)	70260P-10
WIRE HARNESS - CLUTCH ZFF GEAR, MTCU POWER, 15 FT (4,57m)	70260P-15
WIRE HARNESS - CLUTCH ZFF GEAR, MTCU POWER, 20 FT (6,10m)	70260P-20
WIRE HARNESS - CLUTCH ZFF GEAR, MTCU POWER, 30 FT (9,14m)	70260P-30
WIRE HARNESS - CLUTCH ZFF GEAR, MTCU POWER, 35 FT (10,67m)	70260P-35
WIRE HARNESS - CLUTCH ZFF GEAR, MTCU POWER, 40 FT (12,19m)	70260P-40
WIRE HARNESS - CLUTCH ZFF GEAR, MTCU POWER, 50 FT (15,24m)	70260P-50
WIRE HARNESS - CLUTCH ZFF GEAR, MTCU POWER, 60 FT (18,29m)	70260P-60

THROTTLE, MAN	PART NUMBER
WIRE HARNESS - THROTTLE/NEUTRAL INTERLOCK, MAN, 3 FT (0,91m)	70263-3
WIRE HARNESS - THROTTLE/NEUTRAL INTERLOCK, MAN, 5 FT (1,52m)	70263-5
WIRE HARNESS - THROTTLE/NEUTRAL INTERLOCK, MAN, 10 FT (3,05m)	70263-10
WIRE HARNESS - THROTTLE/NEUTRAL INTERLOCK, MAN, 15 FT (4,57m)	70263-15
WIRE HARNESS - THROTTLE/NEUTRAL INTERLOCK, MAN, 20 FT (6,10m)	70263-20
WIRE HARNESS - THROTTLE/NEUTRAL INTERLOCK, MAN, 25 FT (7,62m)	70263-25
WIRE HARNESS - THROTTLE/NEUTRAL INTERLOCK, MAN, 30 FT (9,14m)	70263-30
WIRE HARNESS - THROTTLE/NEUTRAL INTERLOCK, MAN, 35 FT (10,67m)	70263-35
WIRE HARNESS - THROTTLE/NEUTRAL INTERLOCK, MAN, 40 FT (12,19m)	70263-40

Note: Other Wire Harnesses can be used with the SmartCommand system. You can find these wire harnesses on page 281 in the "WIRE HARNESSES" section.



1074 Kenran Industrial Dr.
St. Louis, MO 63137
Phone: 1-800-381-9968

ZF Marine SmartCommand



SmartCommand

CLUTCH (ZFPD) 2 SPEED	PART NUMBER
WIRE HARNESS - CLUTCH 2 SPEED (ZFPD GEAR), 10 FT (3,05m)	70487-10

POWER / START INTERLOCK WIRE HARNESS	PART NUMBER
WIRE HARNESS - POWER, START INTERLOCK, 10 FT (3,05m)	13756-10
WIRE HARNESS - POWER, START INTERLOCK, 15 FT (4,57m)	13756-15
WIRE HARNESS - POWER, START INTERLOCK, 20 FT (6,10m)	13756-20
WIRE HARNESS - POWER, START INTERLOCK, 25 FT (7,62m)	13756-25
WIRE HARNESS - POWER, START INTERLOCK, 30 FT (9,14m)	13756-30
WIRE HARNESS - POWER, START INTERLOCK, 35 FT (10,67m)	13756-35
WIRE HARNESS - POWER, START INTERLOCK, 40 FT (12,19m) (24V ONLY)	13756-40
WIRE HARNESS - POWER, START INTERLOCK, 45 FT (13,72m) (24V ONLY)	13756-45
WIRE HARNESS - POWER, START INTERLOCK, 50 FT (15,24m) (24V ONLY)	13756-50
WIRE HARNESS - POWER, START INTERLOCK, 55 FT (16,76m) (24V ONLY)	13756-55
WIRE HARNESS - POWER, START INTERLOCK, 60 FT (18,29m) (24V ONLY)	13756-60
WIRE HARNESS - POWER, START INTERLOCK, 70 FT (21,33m) (24V ONLY)	13756-70

Note: Other Wire Harnesses can be used with the SmartCommand system. You can find these wire harnesses on page 281 in the "WIRE HARNESSES" section.



1074 Kenran Industrial Dr.
St. Louis, MO 63137
Phone: 1-800-381-9968



SmartCommand

6

WIRE HARNESS POWER, FOR USE WITH EXISTING START INTERLOCK	PART NUMBER
WIRE HARNESS - POWER, 10 FT (3,05m)	15023-10
WIRE HARNESS - POWER, 20 FT (6,10m)	15023-20
WIRE HARNESS - POWER, 25 FT (7,62m)	15023-25
WIRE HARNESS - POWER, 30 FT (9,14m)	15023-30
WIRE HARNESS - POWER, 35 FT (10,67m)	15023-35
WIRE HARNESS - POWER, 40 FT (12,19m)	15023-40
WIRE HARNESS - POWER, 45 FT (13,72m)	15023-45
WIRE HARNESS - POWER, 50 FT (15,24m)	15023-50
WIRE HARNESS - POWER, 55 FT (16,76m)	15023-55
WIRE HARNESS - POWER, 60 FT (18,29m)	15023-60
WIRE HARNESS - POWER, 70 FT (21,33m)	15023-70
WIRE HARNESS - POWER, 80 FT (24,38m)	15023-80
WIRE HARNESS - POWER, 90 FT (27,43m)	15023-90
WIRE HARNESS - POWER, 100 FT (30,48m)	15023-100

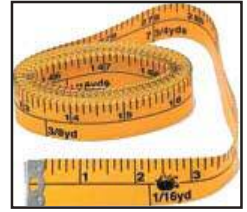
ACCESSORIES	PART NUMBER
MOUNTING KIT, TRUNION (CANTRAK 2610)	70280

Note: Other Wire Harnesses can be used with the SmartCommand system. You can find these wire harnesses on page 281 in the "WIRE HARNESSES" section.

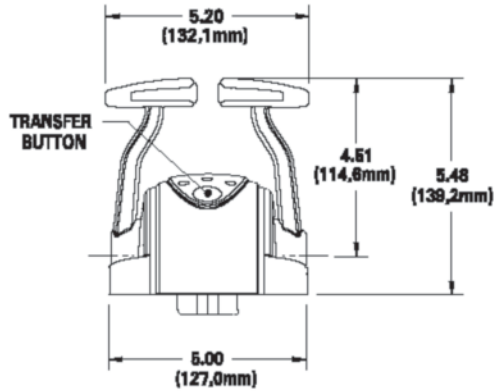


ZF Marine SmartCommand Control Head Dimensions

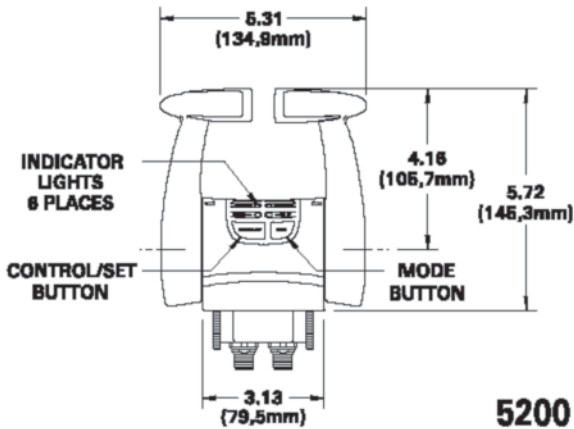
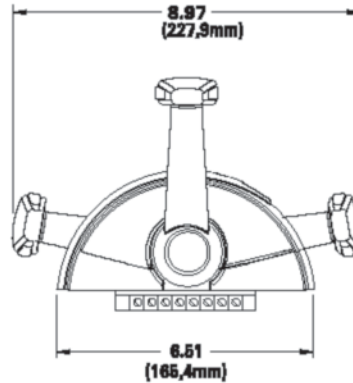
SmartCommand Control Head Dimensions



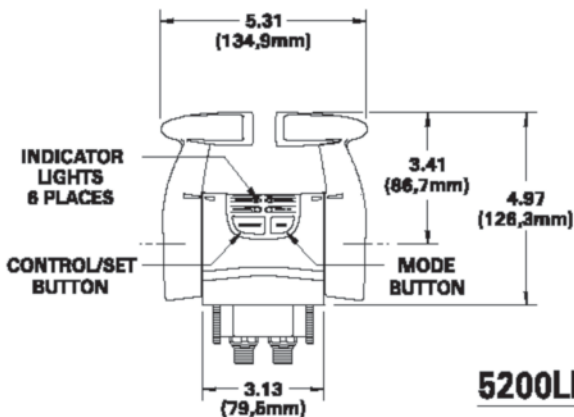
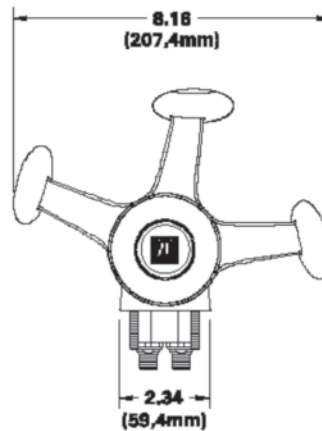
Dimensions



MC2000



5200



5200LP

