



1074 Kenran Industrial Dr.
St. Louis, MO 63137
Phone: 1-800-381-9968

Taylortec WV-9A Work Vest

WV-9A Work Vest Technical Sheet

Model No: WV-9A

U.S.C.G. App# 160.053/95/0

Manufacturer: Taylortec, Inc.
16152 East Club Deluxe Rd
Hammond, LA 70403 USA

Description: Type V, inherently buoyant, 3 piece fabric covered foam work vest with pocket.

Packing: 15 work vests per box.

Materials: Polyethylene plastic foam, Nylon Acrylic fabric, 1" Black Polypropylene webbing, aluminum slides, stainless steel buckles. Reflective tape is optional. All materials are U.S.C.G. and U.L. approved.

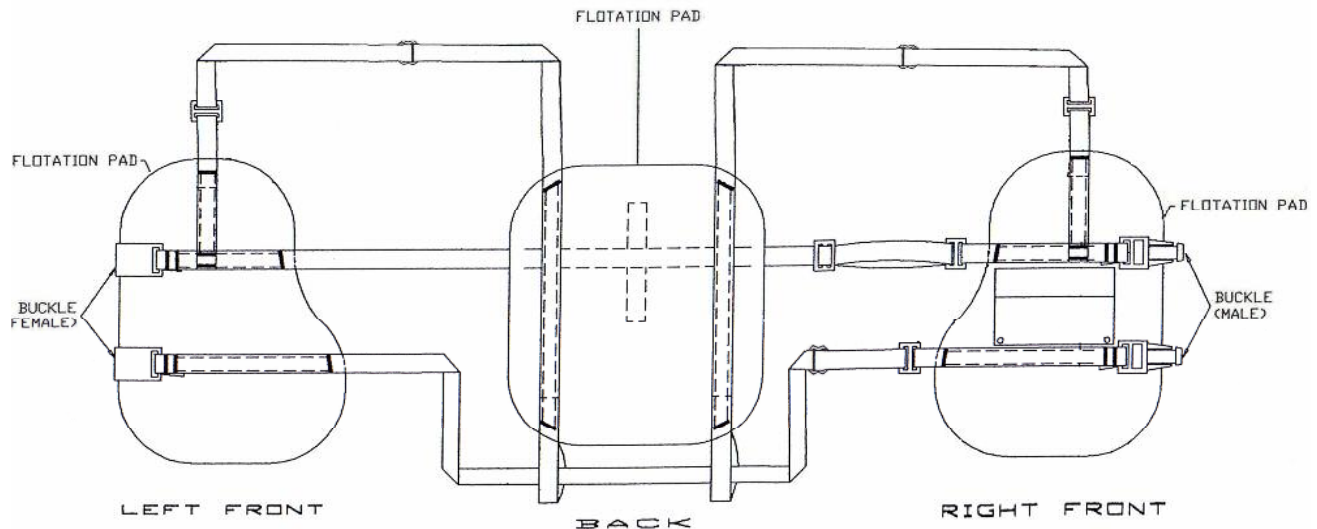
Color: International Orange

Buoyancy: Minimum required 17.5 lbs ± ½ lbs, our design exceeds this minimum requirement.

Weight: 1.2 lbs



5



Pads: 1 5/8" thick (± 1/4")

Vest Size:	Regular	XL	XXL	XXXL
Shoulder	9"	13"	16"	18"
Chest	62"	68"	74"	80"
Waist	55"	61"	67"	73"



1074 Kenran Industrial Dr.
St. Louis, MO 63137
Phone: 1-800-381-9968

Taylortec WV-9B Work Vest

WV-9B Work Vest Technical Sheet

Model No: WV-9B

U.S.C.G. App# 160.053/95/0

Manufacturer: Taylortec, Inc.
16152 East Club Deluxe Rd
Hammond, LA 70403 USA

Description: Type V, inherently buoyant, 3 piece fabric covered foam work vest with pocket.

Packing: 15 work vests per box.

Materials: Polyethylene plastic foam, heavy duty easy to clean vinyl fabric, 1" black polypropylene webbing, aluminum slides, stainless steel buckles.
Features available: Up to size 6XL, reflective tape, stainless steel snap hooks and custom silk screen stenciling.

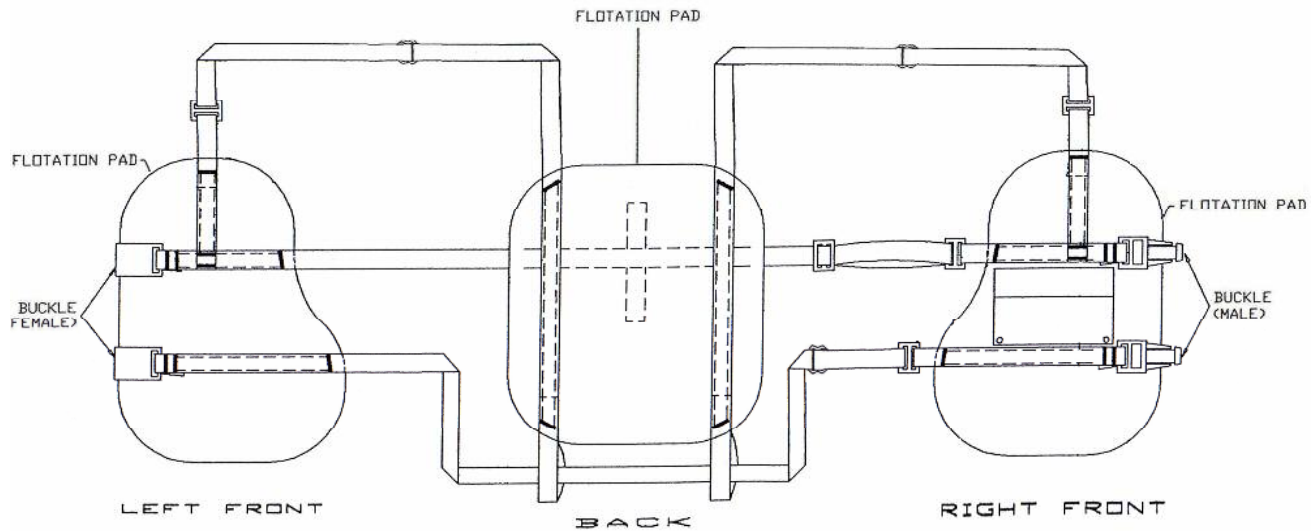


5

Color: International Orange

Buoyancy: Minimum required 17.5 lbs ± ½ lbs, our design exceeds this minimum requirement.

Weight: 1.2 lbs



Pads: 1 5/8" thick (± 1/4")

Vest Size:	Regular	XL	XXL	XXXL
Shoulder	9"	13"	16"	18"
Chest	62"	68"	74"	80"
Waist	55"	61"	67"	73"



1074 Kenran Industrial Dr.
St. Louis, MO 63137
Phone: 1-800-381-9968

HUMCO SAFETY

Taylortec WV-9C Welding Ready Work Vest

WV-9C Work Vest Technical Sheet

Model No: WV-9C

U.S.C.G. App# 160.053/95/0

Manufacturer: Taylortec, Inc.
16152 East Club Deluxe Rd
Hammond, LA 70403 USA

Description: Type V, flame resistant, inherently buoyant, 3 piece fabric covered foam work vest.

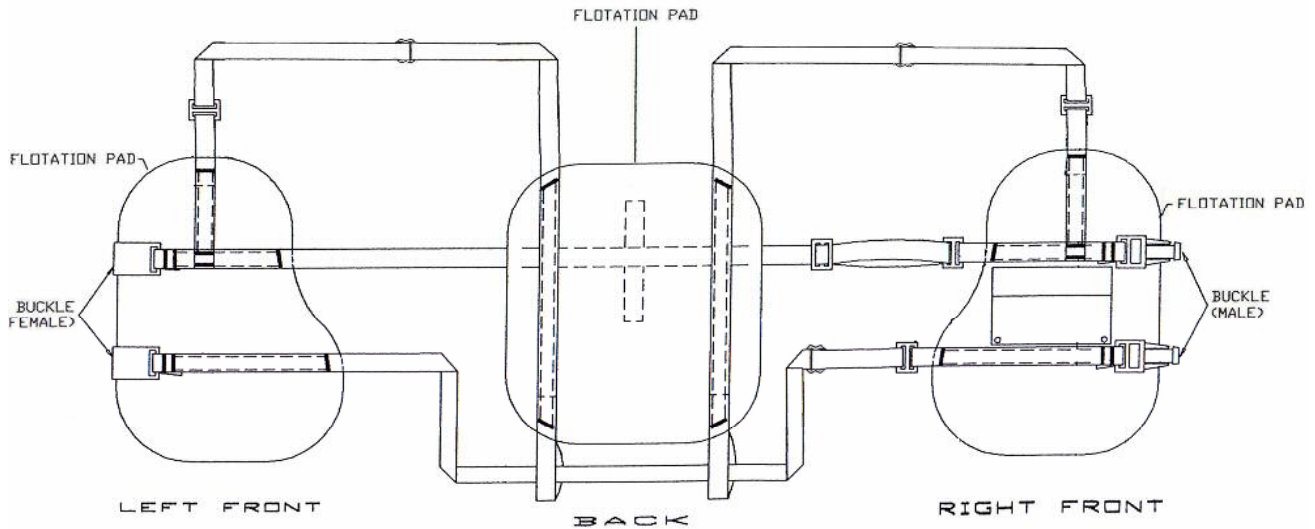
Packing: 15 work vests per box.

Materials: Polyethylene plastic foam, polyester cotton fiber pigmented with flame resistant acrylic top coating, 1" olive green cotton webbing with fire retardant sizing, aluminum slides, stainless steel buckles. Reflective tape is optional. All materials are U.S.C.G. and U.L. approved.

Color: International Orange

Buoyancy: Minimum required 17.5 lbs ± ½ lbs, our design exceeds this minimum requirement.

Weight: 1.2 lbs



Pads: 1 5/8" thick (± 1/4")

Vest Size:	Regular	XL	XXL	XXXL
Shoulder	9"	13"	16"	18"
Chest	62"	68"	74"	80"
Waist	55"	61"	67"	73"



1074 Kenran Industrial Dr.
St. Louis, MO 63137
Phone: 1-800-381-9968

Taylortec WV-9D Welders Safety Fall Vest

WV-9D Work Vest Technical Sheet

Model No: WV-9D

U.S.C.G. App# 160.053/88/0

Manufacturer: Taylortec, Inc.
16152 East Club Deluxe Rd
Hammond, LA 70403 USA

Description: Type V, flame resistant, inherently buoyant, 3 piece fabric covered foam work vest.

Packing: 15 work vests per box.

Materials: PVC based closed cell foam, polyester cotton fiber pigmented with flame resistant acrylic top coating, 1" olive green cotton webbing with fire retardant sizing, aluminum slides, stainless steel buckles. Reflective tape is optional. All materials are U.S.C.G. and U.L. approved. This work vest has a slot in the back to facilitate wearing over a fall restraint harness. Our arrangement allows the snap hook and lanyard to be worn comfortably outside of the jacket.

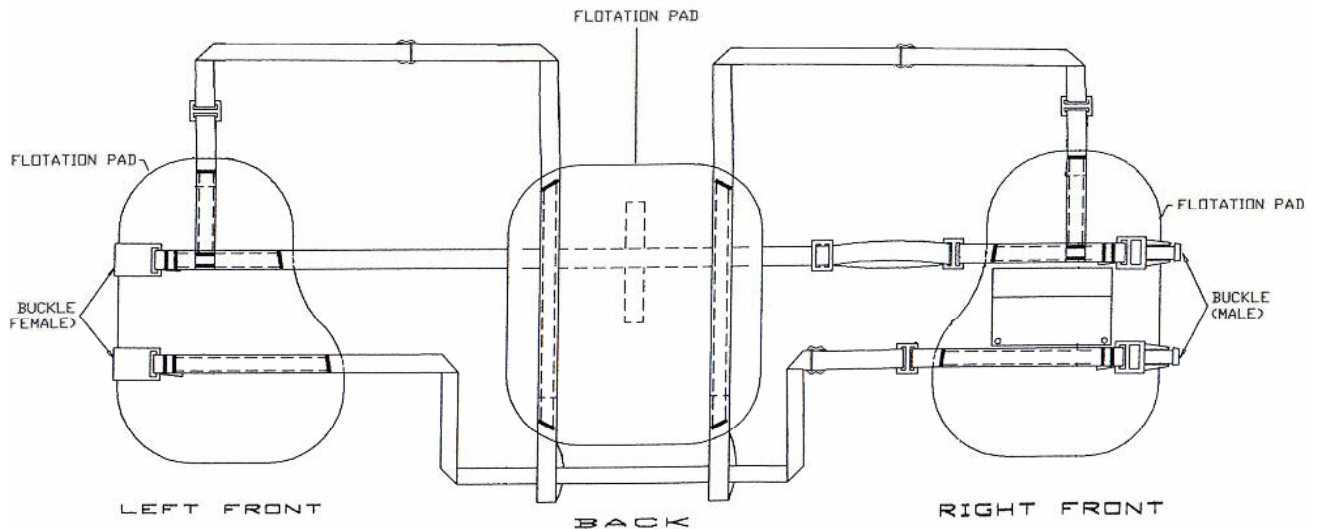
Color: International Orange

Buoyancy: Minimum required 17.5 lbs ± ½ lbs, our design exceeds this minimum requirement.

Weight: 1.85 lbs



5



Pads: 1 5/8" thick (± 1/4")

Vest Size:	Regular	XL	XXL	XXXL
Shoulder	9"	13"	16"	18"
Chest	62"	68"	74"	80"
Waist	55"	61"	67"	73"



1074 Kenran Industrial Dr.
St. Louis, MO 63137
Phone: 1-800-381-9968

HUMCO SAFETY

Taylortec WV-10 RT Work Vest

WV-10 RT Work Vest Technical Sheet

Model No: WV-10 with Reflective Tape.

U.S.C.G. App# 160.053/70/0

Manufacturer: Taylortec, Inc.
16152 East Club Deluxe Rd
Hammond, LA 70403 USA

Description: Type V, inherently buoyant, 3 piece vinyl coated foam work vest.

Packing: 15 work vests per box

Remark: Price is based on quantity breakdown.

Materials: PVC based closed cell foam, liquid vinyl, 1" black polypropylene webbing, aluminum slides, plastic or stainless steel buckle, reflective tape is optional. All materials are U.S.C.G. and U.L. approved.

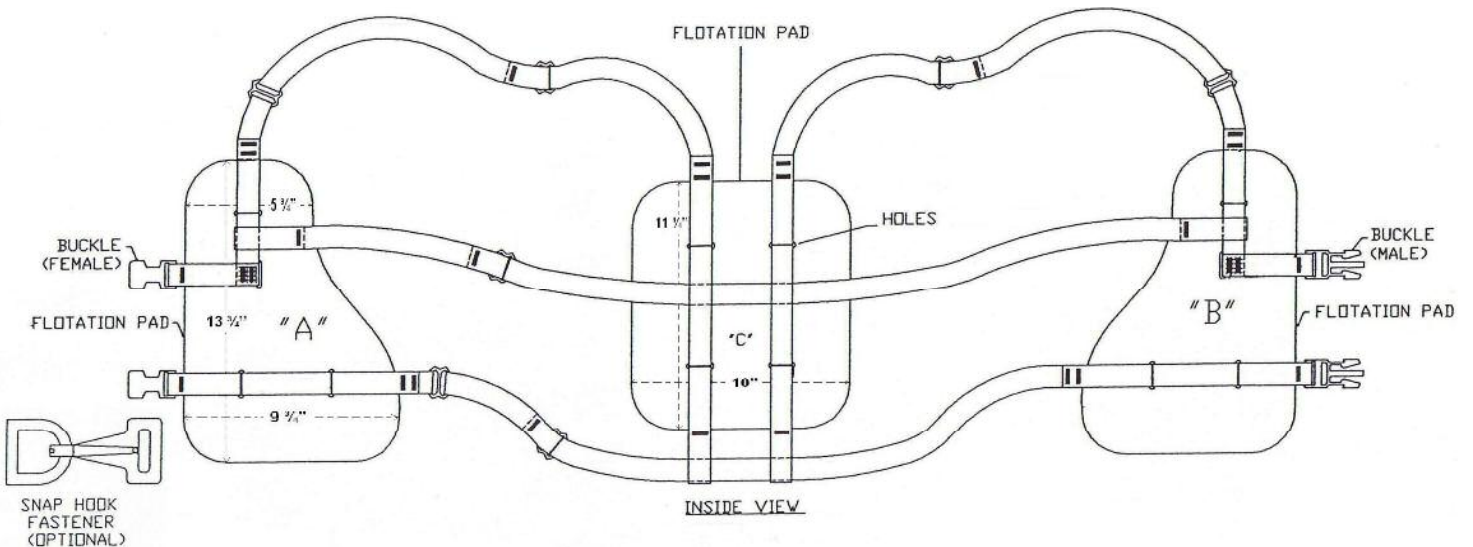
Color: International Orange

Buoyancy: Minimum Buoyancy as required by U.S.C.G. Specifications for Approval Number 160.053/70/0 is 17 1/2 lbs. Our Design Buoyancy = 18 3/4 ± 1/2 lbs

Weight: 1.85 lbs



5



Pads: 1 3/4" thick (± 1/8")

Vest Size:	Regular	XL	XXL	XXXL
Shoulder	12"	15"	18"	21"
Chest	60"	66"	72"	78"
Waist	56"	62"	65"	74"



1074 Kenran Industrial Dr.
St. Louis, MO 63137
Phone: 1-800-381-9968

Taylortec SFV-10 Safety Fall Work Vest

SFV-10 Safety Fall Work Vest Technical Sheet

Model No: SFV-10

U.S.C.G. App# 160.053/88/0

Manufacturer: Taylortec, Inc.
16152 East Club Deluxe Rd
Hammond, LA 70403 USA

Description: Type V, inherently buoyant, 3 piece vinyl coated foam work vest.

Packing: 15 work vests per box

Remark: Price is based on quantity breakdown.

Materials: PVC based closed cell foam, liquid vinyl, 1" black polypropylene webbing, aluminum slides, plastic or stainless steel buckle, reflective tape is optional. All materials are U.S.C.G. and U.L. approved.

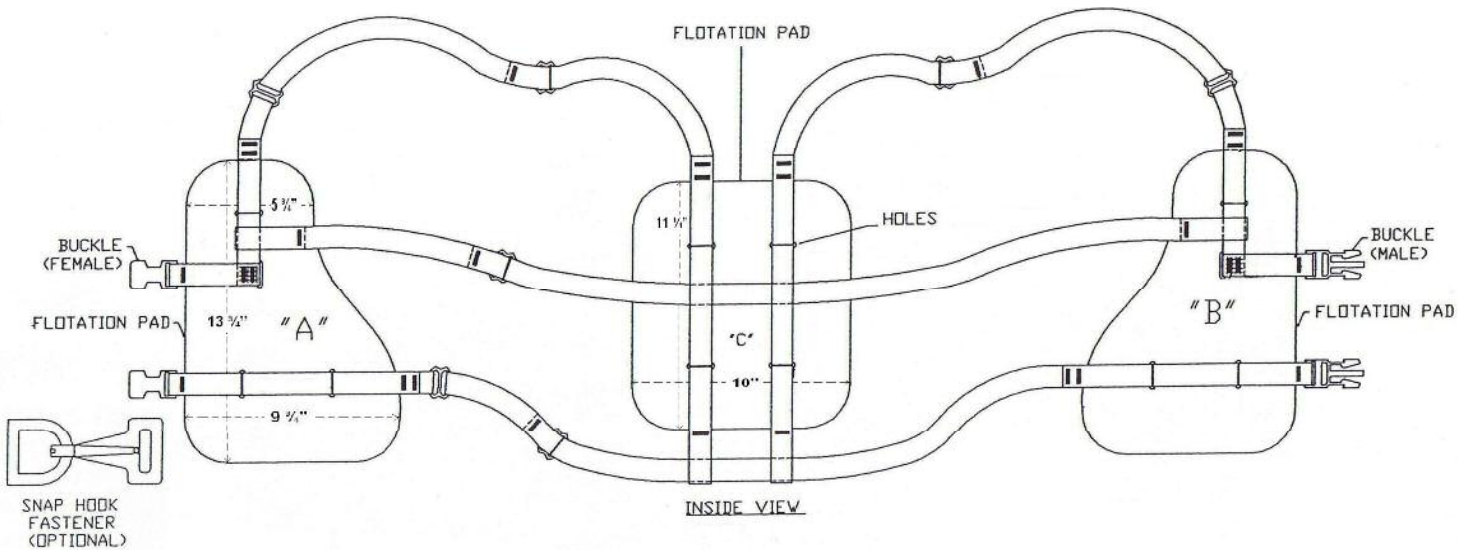
Color: International Orange

Buoyancy: Minimum Buoyancy as required by U.S.C.G. Specifications for Approval Number 160.053/88/0 is 17 1/2 lbs. Our Design Buoyancy = 18 3/4 ± 1/2 lbs

Weight: 1.85 lbs



5



Pads: 1 3/4" thick (± 1/8")

Vest Size:	Regular	XL	XXL	XXXL
Shoulder	12"	15"	18"	21"
Chest	60"	66"	72"	78"
Waist	56"	62"	65"	74"



Taylortec RB-30S Ring Buoy

RB-30S

Ring Buoy Technical Sheet

5

Model No: RB30S

U.S.C.G. Apprvl# 160.150/9/0

Manufacturer: Taylortec, Inc.
16152 East Club Deluxe Rd
Hammond, LA 70403 USA

Description: Type IV, Solas Approved, Orange Life Ring Buoy, Throwable Device with Reflective Tape.

Packing: 4 Ring Buoys per box

Remark: Price is based on quantity breakdown.

Materials: Filling is two part expandable polyurethane foam, Outer hard shell is low density polyethylene.

Color: International Orange

Min Buoyancy: 32 pounds

Weight: Max 7.5 pounds

Outer Diameter: 29.5 +/- 1.50"

Inner Diameter: 18.00 +/- 00.9"

Width: 5.81 +/- 0.30"

Depth: 4.19 +/-0.21"

Wall Thickness: Avg 0.154" (min 0.12")

Filling Hole Dia.: 1.0 +/- 0.10"

Rope Holes: 4 vertical holds through RB's depth, diameter 0.75 +/-0.12"

Reflective Tape: 4 step down relief of approx. 0.07" in depth

