



## Microphor Marine Sanitation Device

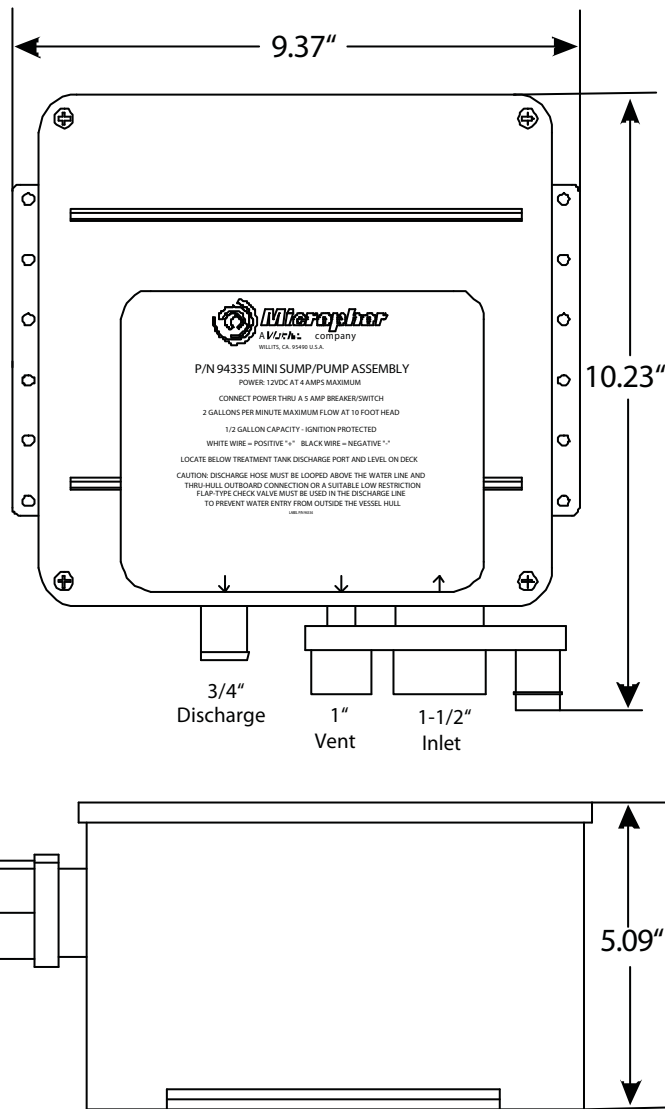
### MSD Selection Table



System No.	Part No.	Liters Per Day	Toilet Type	Tank Dimensions	Dry Weight
M-8 Plastic	94290	10	Microphor	11"W x 38"H x 24"L 279 x 965 x 610mm	50# 23 Kilos
M-10 Plastic	94236	11	Microphor	18.5"W x 21"H x 49.5"L 483 x 533 x 1524mm	110# 50 Kilos
M-14 Plastic	94243	34	Microphor	26"W x 21"H x 49.5"L 660 x 533 x 1524mm	150# 68 Kilos
M-30	97700	57	Microphor	24"W x 25"H x 30"L 660 x 635 x 762mm	290# 132 Kilos
M-40	97701	76	Microphor	26"W x 25"H x 34"L 711 x 635 x 914mm	360# 163 Kilos
M-50	97702	95	Microphor	35"W x 23"H x 40"L 889 x 584 x 1016mm	440# 200 Kilos
M-50 Plastic	94130	95	Microphor	35"W x 24.5"H x 38"L 813 x 610 x 965mm	210# 95 Kilos
MC-50	97711	473	Non-Microphor	35"W x 32"H x 59"L 889 x 813 x 1499mm	715# 324 Kilos
M-100	97703	190	Microphor	35"W x 26"H x 57"L 889 x 660 x 1448mm	620# 281 Kilos
MC-100	97712	946	Non-Microphor	35"W x 32"H x 83"L 889 x 813 x 2108mm	900# 408 Kilos
M-150	97704	284	Microphor	35"W x 26"H x 83"L 889 x 660 x 2108mm	880# 400 Kilos
MC-150	97713	1420	Non-Microphor	44"W x 31"H x 99"L 1118 x 787 x 2515mm	1100# 499 Kilos
M-200	97705	379	Microphor	40"W x 32"H x 99"L 1016 x 813 x 2515mm	1320# 599 Kilos
MC-200	97714	1893	Non-Microphor	52"W x 33"H x 113"L 1321 x 838 x 2870mm	1650# 748 Kilos
M-300	97706	568	Microphor	49"W x 37"H x 123"L 1245 x 940 x 3124mm	1980# 898 Kilos
MC-300	97715	2839	Non-Microphor	52"W x 38"H x 140"L 1321 x 965 x 3556mm	2200# 998 Kilos
M-500	97707	946	Microphor	49"W x 37"H x 172"L 1245 x 940 x 4369mm	3000# 1361 Kilos
MC-500	97716	4731	Non-Microphor	64"W x 38"H x 214"L 1626 x 965 x 5436mm	5000# 2268 Kilos
M-600	97708	1136	Microphor	64"W x 37"H x 172"L 1626 x 940 x 4369mm	4000# 1814 Kilos
MC-600	97717	5678	Non-Microphor	72"W x 38"H x 214"L 1829 x 965 x 5436mm	5200# 2359 Kilos
M-800	97709	1514	Microphor	76"W x 37"H x 196"L 1930 x 940 x 4978mm	6000# 2722 Kilos
MC-800	97718	7571	Non-Microphor	72"W x 44"H x 244"L 1829 x 1118 x 6198mm	8000# 3629 Kilos
M-1000	97710	1893	Microphor	76"W x 37"H x 244"L 1930 x 940 x 6198mm	7700# 3493 Kilos
MC-1000	97719	9464	Non-Microphor	75"W x 44"H x 291"L 1905 x 1118 x 7391mm	9500# 4309 Kilos

## Microphor Marine Sanitation Device

### Mini Sump Pump Assembly



**Microphor's Mini Sump Pump Assembly is specifically designed for use with Microphor's pleasure craft Marine Sanitation Device.**

#### Product Features

- Simple Installation
- Available in 12 or 24 Volts D.C.
- Automatic Level Control Operation
- Ignition Protected
- Flow Rate 2 Gallons per Minute Maximum at 10 Feet Head Pressure
- Light Weight Yet Durable at Only 2 Pounds
- Extremely Quiet Operation

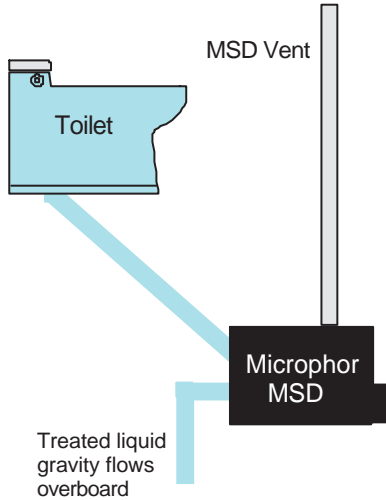
#### Ordering Information

12 Volts DC - Part Number 94335  
24 Volts DC - Part Number 94335-3

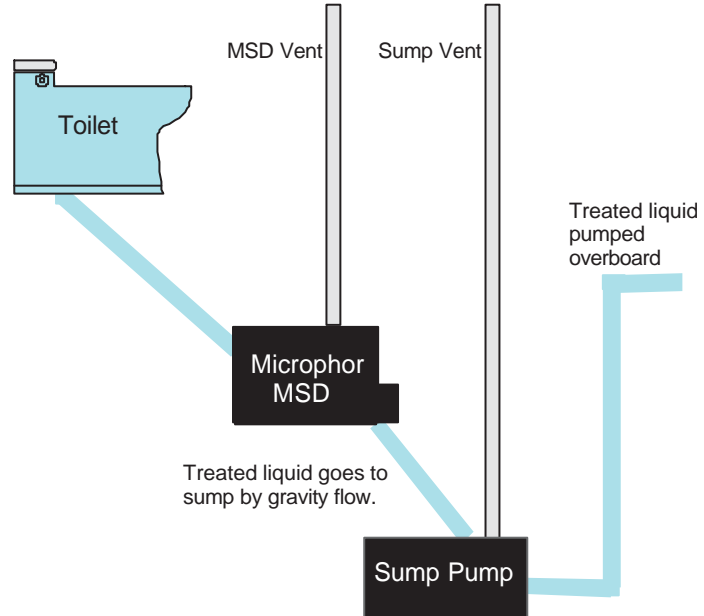
## Microphor Marine Sanitation Device

### Marine Sanitation Device – Pleasure Craft

**Gravity flow system used when MSD is above water line.**



**Sump pump system used when MSD is below water line.**



4

#### Why Microphor works so well.

Human waste and toilet paper only are flushed down the toilet and enter the MSD containing fiber filter columns. The solid material is retained over the filters and digested by bacteria, while the liquid passes through the filters, is treated and discharged overboard.

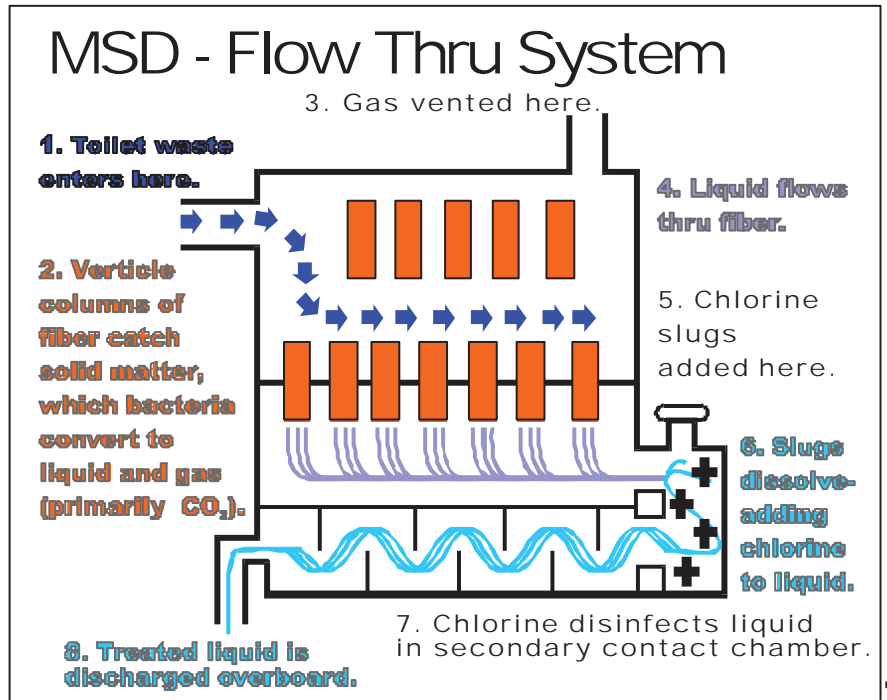
Digestion of human waste is accomplished by organisms found normally in the human body. They live within the fiber columns and convert digestible material to primarily CO<sub>2</sub> and water. Traces of minerals and proteins are broken down into fine particles, washed through the filters, treated and discharged.

To ensure environmental protection, Microphor uses the simplest, safest and most effective system possible. The chlorine compound that is recommended for treatment is the most cost effective to meet USCG requirements for discharge. Discharge of this treated effluent into the environment is sanctioned by many environmental protection groups.

#### Versatility in Installation.

Twenty different sizes of devices are available for easier retrofit and lower cost of installation. Placing units port and starboard or fore and aft will usually require fewer plumbing changes.

**A biological digester designed specifically for toilet waste.**





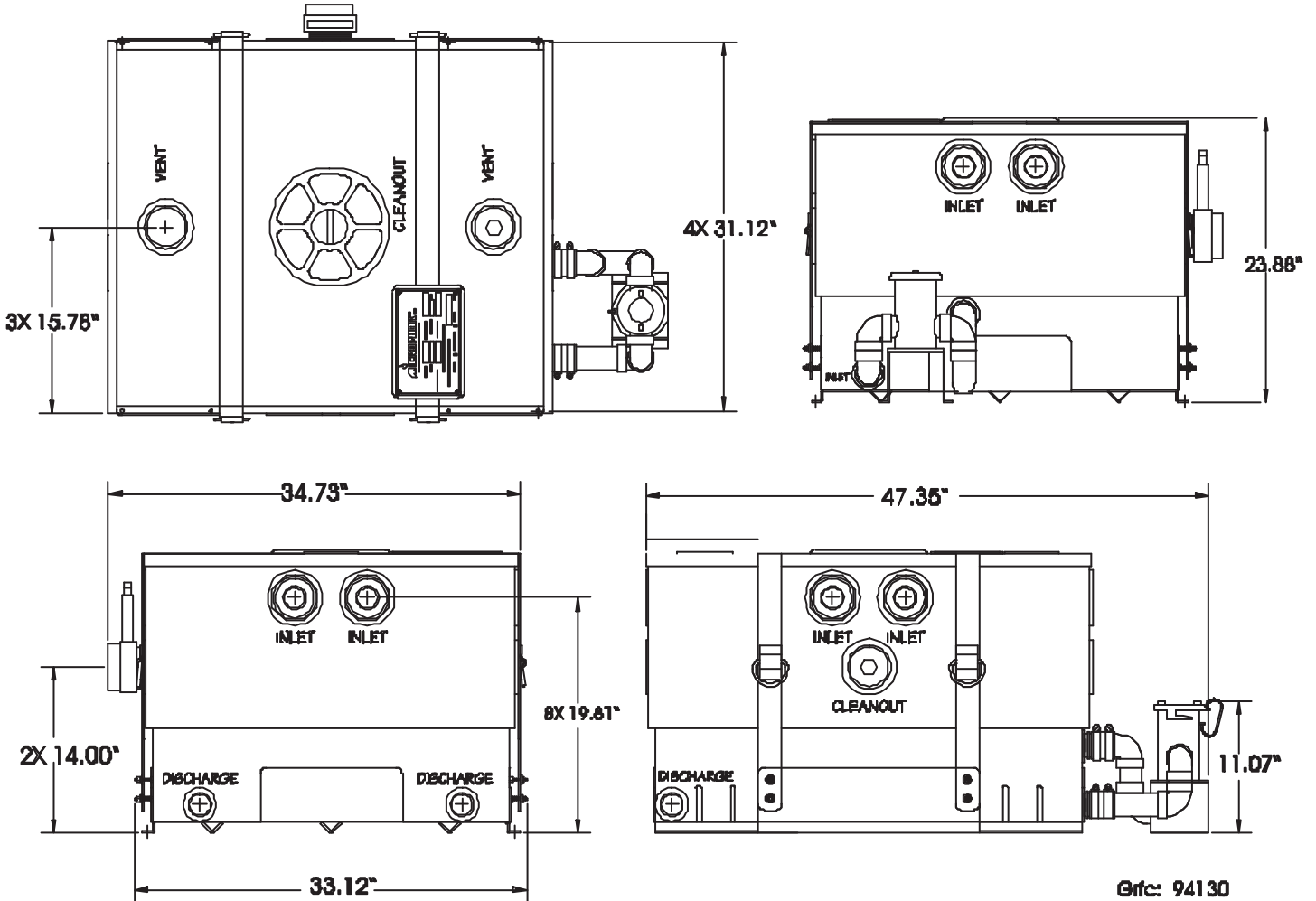
1074 Kenran Industrial Dr.  
St. Louis, MO 63137  
Phone: 1-800-381-9968

# HUMCO SANITATION

## Microphor Marine Sanitation Device

### M-50 Marine Sanitation Device, P/N 94130

4



Note: (2) vents, 3"  
(8) inlets, 3 x 1-1/2" reduced  
(2) cleanouts, 3"  
Plugs provided for parts not used

Maximum Toilet Capacity: 4 per tank

Maximum LPD Capacity: 95 LPD per tank

Maximum Crew Size: 5 people using Microphor 2 qt. Toilet

Tank Weights:	<u>Dry</u>	<u>Without Mounting Bracket</u>	<u>Wet</u>
	210 lbs.	150 lbs.	627 lbs.